



C.C.E.A. has invented this unique LED pointing system for a variety of uses.

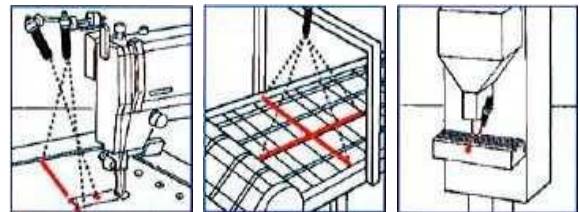
The LED pointer has been designed to make alignment and positioning of materials easier in difficult situations and for different applications.

The LED applied technology makes this CCEA pointing system the one unique, flexible, reliable, versatile and long-lasting solution of its kind in the world.

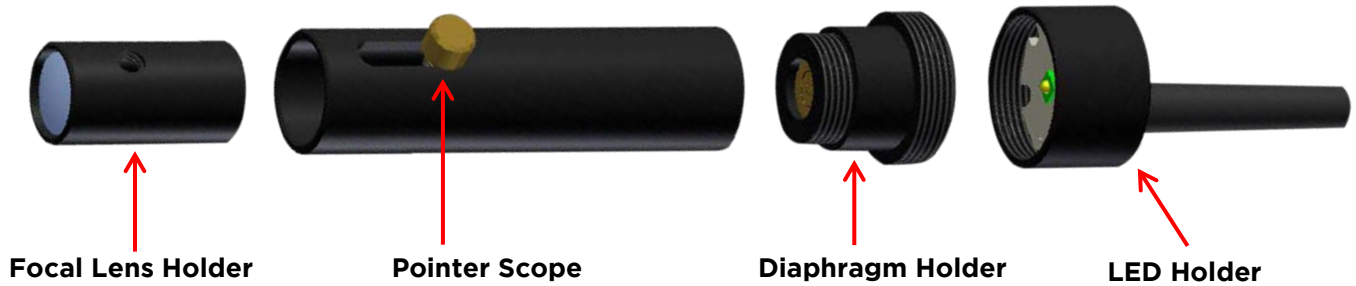
Resistant to vibrations up to 90 Hz. CCEA's LED pointers are particularly suitable for industrial applications. They are installed where an accurate and precision alignment and positioning of parts or components is required.

They can be used on machines for shoe manufacturing, manual machine tools, storage locations, sewing machines, punching and eyeleting machines, fabric cutting machines, ironing machines, textile printing and sealing machines.

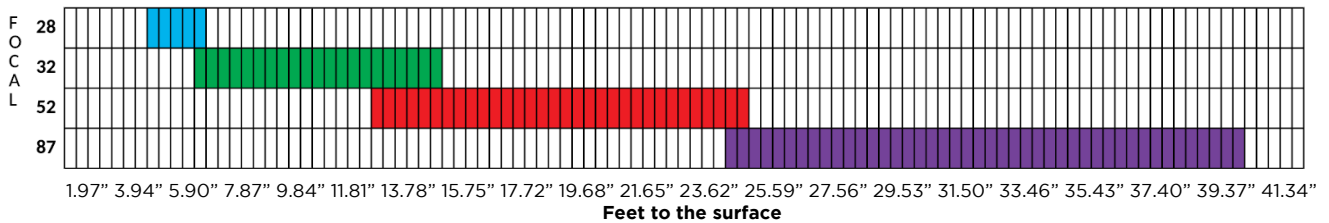
- HIGH efficiency LED used
- Anodized aluminum housing
- 60,000 hours keeping the same efficient flow beam
- 3 LED colors available: White, Red and Green for marking a wide series of colored materials and surfaces
- 3 diaphragms and customization for many different applications
- 4 focal lengths: 28,32,52 and 87 for distances from 3.15in (8cm) to 39.37in (100cm) from the surface in standard uses
- 1W and 3W power
- Power supply in 12 / 24Vdc and 110 to 230Vac
- EMC
- 3 versatile mounting brackets for full angular adjustment
- No Photobiological risk



## POINTERS IN DETAIL



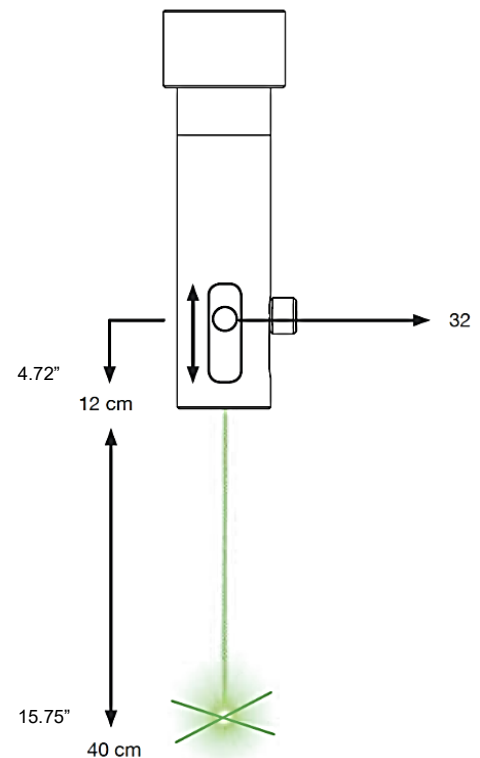
Use the right focal length according to the distance



## HOW TO CHOOSE YOUR CONFIGURATION

Focals	Diaphragms	Power	Colors
28	CR1 LN1 PT1	L1 (1W)	RED (R)
32		L3 (3W)	GREEN (V)
52			WHITE (B)
87			

**32.CR1.L1.V**

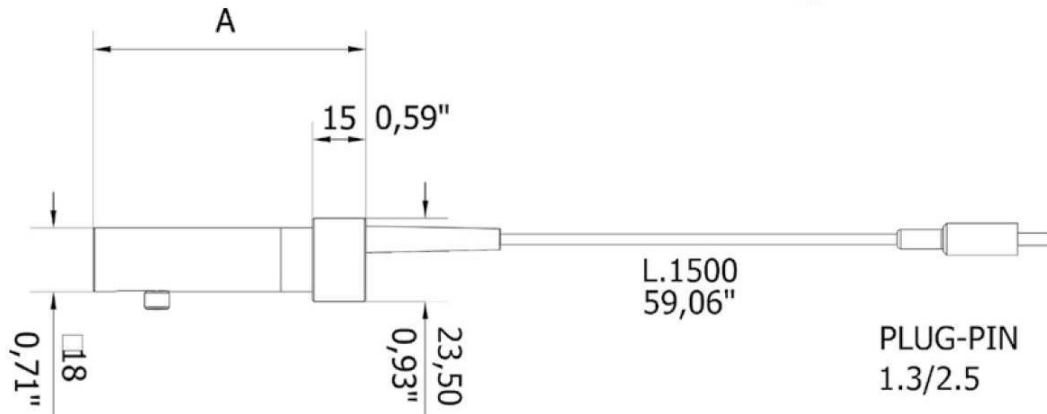


Thanks to "four Flexible focal lengths" "28-32-52-87" and with 192 configurations, CCEA's LED pointers can be positioned from 3.15" (8cm) to 60" (150cm) distance to target and project a very precise sign over the surface of the material by adjusting the Focal lens holder.

## ELECTRICAL FEATURE

	Pointer 1 W	Pointer 3 W
Tension	3.2 Vdc	3.2 Vdc
Power	1 W	3 W
Current	0.35 A	0.45 A
Degree Of Protection	IP 40	IP 40
LED Type	High Power LED	High Power LED
LED Lifespan	60.000 hours	60.000 hours
LED Colors	Red, Green, White	Red, Green, White
Structure	Anodized Aluminum	Anodized Aluminum
Cord	PVC L5' with plug pin 1.3	PVC L5' with plug pin 1.3

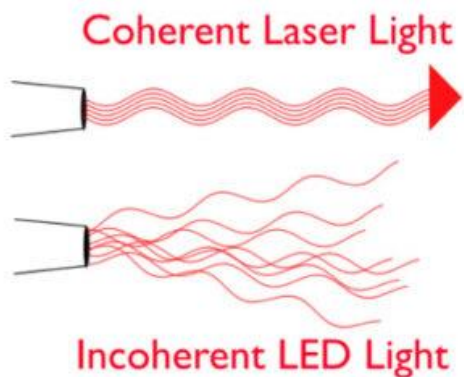
## DIMENSIONS



## SAFETY

- No photo biological risk IEC/EN 62471
- No safety glasses required
- No strain on the eyes

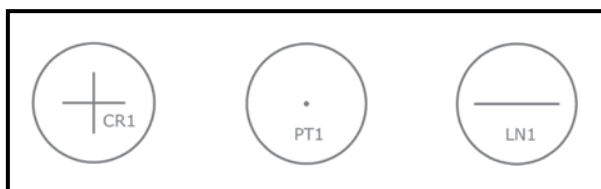
**LED Standard:** IEC/EN 62471. As **LEDs** become widely used in many **LED** lights, assessment of the unique “Blue Light” hazard is critical. Photobiological **Safety** of Lamps and Lamp Systems, was fully applied to all **LED** lighting products.






**Coherent light** features all the individual light waves precisely lined up in the form of rays. They're all going the same direction, and taking each “stroke” in the same way and at the same time. That's why a laser pointer will project a very small dot across a long distance. And that's also why laser light is dangerous for our eyes. Our eyes are not adapted to deal with the intense power of coherent light deposited in a small area on the retina, and, depending on the laser power, retinal burns can result. Hence the recommendation for safety glasses.

**Incoherent light** emits a wide divergence beam useful for lighting. Here the photons do not have the same frequency and the waves are not in phase with one another. This type of light is diffuse and it is not dangerous for the eyes.

## DIAPHRAGMS & COLORS AVAILABLE

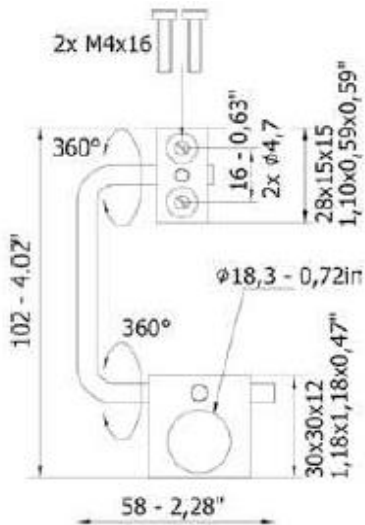


## MOUNTING OPTIONS

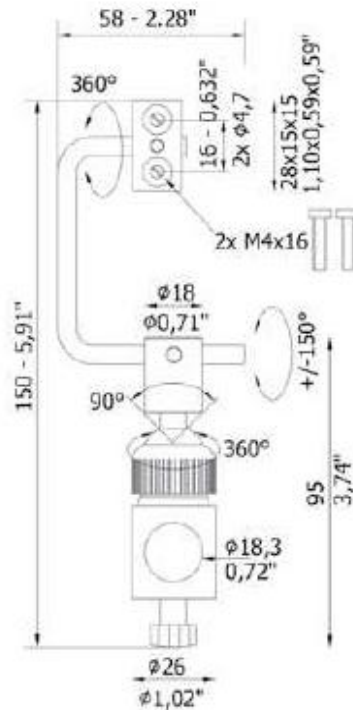
Product pictures	Description	Code product
	<p>Sturdy and vibration resistant, it is a one-way articulated bracket. Made of chrome-plated stainless steel (arm) and aluminum LED Pointer holder. This bracket-set is selected when a stable and solid LED Pointer installation is required. Suitable for high vibration applications. Occasional adjustments only.</p>	ART16
	<p>Lightweight and vibration resistant it is an articulated bracket with medium movement. Made of ABS plastic in black. It is the answer when small, quick and frequent adjustments are needed to change the angle and position of the LED Pointer in any direction in moderately vibrating applications.</p>	ART36
	<p>Robust, versatile and vibration resistant, it is a full-motion articulated bracket. Made of chrome-plated stainless steel (arm) together with a swivel neck made of anodized aluminum. It is the perfect solution when you need to change the angle and position of the LED Pointer and adjust it in any direction in high-vibrating applications.</p>	ART34

## MOUNTING DIMENSIONS

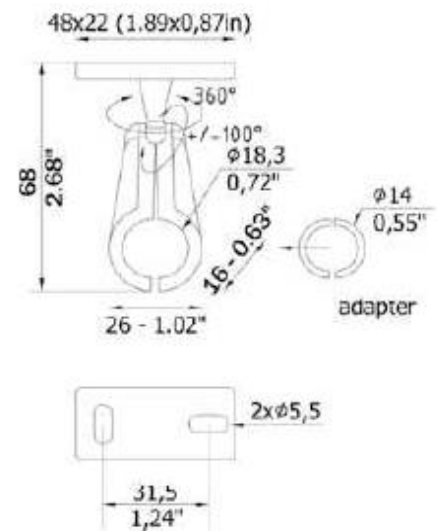
**ART16**



**ART36**



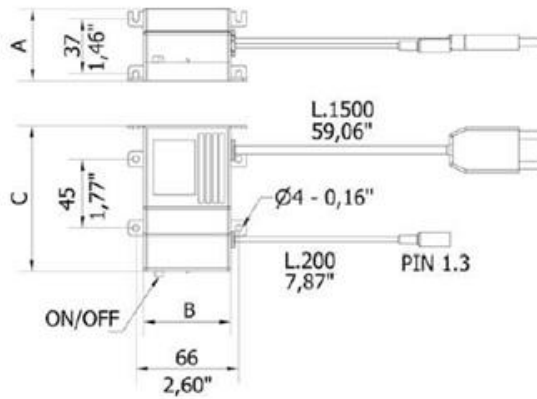
**ART34**



# POWER SUPPLY OPTIONS

## Product pictures

## Description



### A7LED1W

Tension 100-230Vac  
 Current 350mA  
 Power 1 W  
 Cord PVC L:5' US Plug

### A11LED3W

Tension 100-230Vac  
 Current 500mA  
 Power 3 W  
 Cord PVC L:5' US Plug

### A24LED1W

Tension 10-52Vdc  
 Current 350mA  
 Power 1 W  
 Cord PVC L:5'

### A24LED3W

Tension 10-52Vdc  
 Current 500mA  
 Power 3 W  
 Cord PVC L:5'