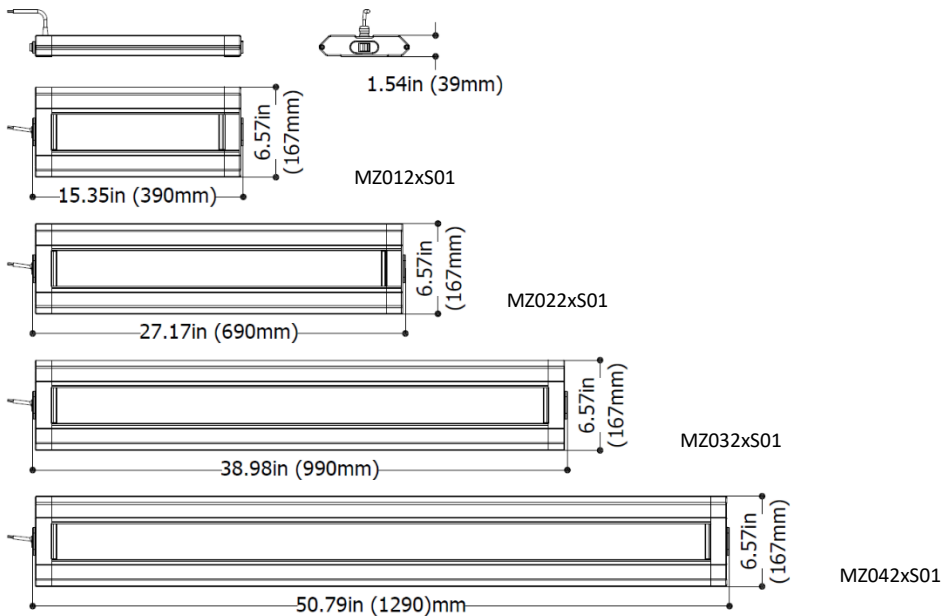


MIZAR is the Avant-Gard lamp for Work, Assembly and Quality Control Stations. Developed with the most innovative design, exploiting the newest mechanical and electronic technology, it embodies the highest LED tech achieved at present.

- Anodized aluminum casing
- End caps in nylon (PA66)
- Front prismatic plexiglass (PMMA)
- Mid Power LED light source
- 50% energy savings and constant flow beam for 60.000 hours
- 24 Vdc or 230Vac via Calbe 10ft. (3m)
- 4 model sizes from 12W to 48 W
- Overhead mounting bracket and wall mounting bracket available

DIMENSIONS



MECHANICAL FEATURES

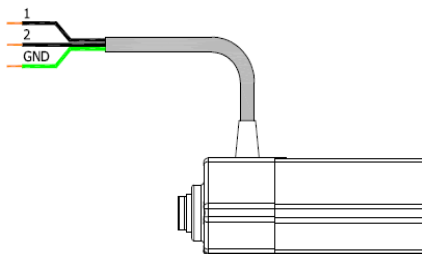
Model	MZ0121S01	MZ0122S01	MZ0221S01	MZ0222S01	MZ0321S01	MZ0322S01	MZ0421S01	MZ0422S01
Casing Material	Anodized extruded Aluminum							
Side Enclosers	PA66 GF30 grey							
Surface Treatment	Standard: 10 microns of natural aluminum solution oxidation							
Front Glass	Prismatic PMMA diffuser 0.12 in (3 mm) thick							
Weight	~2.87 lb (1.30kg)	~3.64 lb (1.65kg)	~5.18 lb (2.35kg)	~5.89 lb (2.70kg)	~7.39 lb (3.35kg)	~8.16 lb (3.70kg)	~9.37 lb (4.25kg)	~10.14 lb (4.60kg)
Protection Index	IP40							
Impact Resistance	1.00 N m/s							
Operating Temperature	-04°F (-20°C) to +113°F (+ 45°C)							
Installation	MZFX01 – MZFX02 Stainless-steel side brackets							

ELECTRICAL FEATURES

Model	MZ0121S01	MZ0122S01	MZ0221S01	MZ0222S01	MZ0321S01	MZ0322S01	MZ0421S01	MZ0422S01
Power Input	12 W		24 W		36 W		48 W	
Power Supply	22-36 Vdc	220 -240 VAC	22-36 Vdc	220 -240 VAC	22-36 Vdc	220 -240 VAC	22-36 Vdc	220 -240 VAC
Current	0,5 A @ 24 Vdc	0,2 A @230V	1,0 A @ 24 Vdc	0,4 A @230V	1,5 A @ 24 Vdc	0,6 A @230V	2,0 A @ 24 Vdc	0,8 A @230V
Device Power Protection	Full protection against reverse polarity							
Electrical Connection	Cable							
Insulation Class	Class III (SELV)	Class I	Class III (SELV)	Class I	Class III (SELV)	Class I	Class III (SELV)	Class I
Efficiency Class	A/A+/A++/A+++ (Integrated LED module) compliant with UE Law No. 874/2012							

CONNECTION* with 10 ft. (3m) Cable, Standard length

PVC 3g 0.17 in² (0.75 mm²) L= 10 ft. (3 m)



Standard: power cable exits on the bottom of the end cap (switch side)

Conductor

Connection

1 Black

+24 Vdc

2 Black

0

Yellow/green

GND

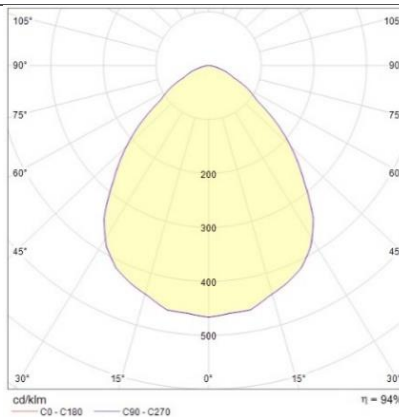
OPTICAL FEATURES

Model	N° and Type of LEDs	LED Lifespan	Light Color	CRI	Light Beam Angle	Luminous Flux	Efficiency
MZ0121S01	30 Mid Power LED	60 000 h L70 **	5000 K	80	120°	1200 lm	100 lm/W
MZ0122S01	30 Mid Power LED	60 000 h L70 **	5000 K	80	120°	1200 lm	100 lm/W
MZ0221S01	60 Mid Power LED	60 000 h L70 **	5000 K	80	120°	2400 lm	100 lm/W
MZ0222S01	60 Mid Power LED	60 000 h L70 **	5000 K	80	120°	2400 lm	100 lm/W
MZ0321S01	90 Mid Power LED	60 000 h L70 **	5000 K	80	120°	3600 lm	100 lm/W
MZ0322S01	90 Mid Power LED	60 000 h L70 **	5000 K	80	120°	3600 lm	100 lm/W
MZ0421S01	120 Mid Power LED	60 000 h L70 **	5000 K	80	120°	4800 lm	100 lm/W
MZ0422S02	120 Mid Power LED	60 000 h L70 **	5000 K	80	120°	4800 lm	100 lm/W

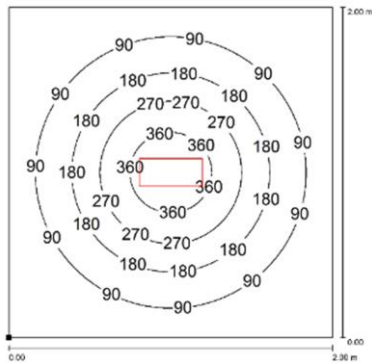
** Flow beam reduced by less than 30% after 60,000 hours

PHOTOMETRIC DIAGRAMS

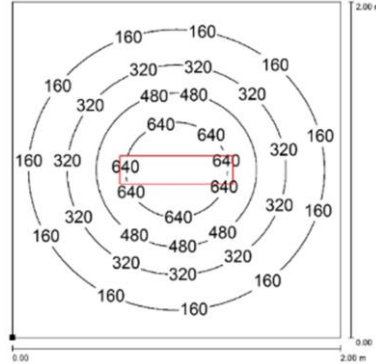
120° LENS



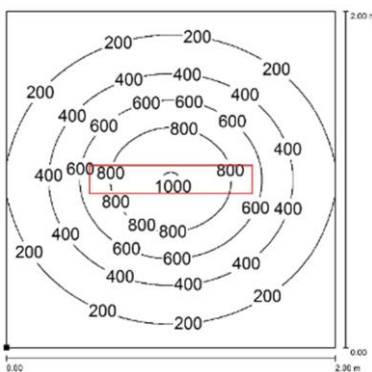
MZ0121S01
MZ0122S01



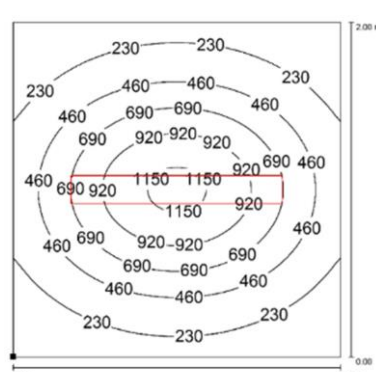
MZ0221S01
MZ0222S01



MZ0321S01
MZ0322S01





MZ0421S01
MZ0422S01



Distance graphic: 1m

MOUNTING OPTIONS

Product pictures	Description	Code product
	<p>Overhead mounting brackets made of stainless steel 0.08in (2mm) thick. It is the perfect solution when you need to adjust the direction of the flow beam in applications (+/-30°). <i>Product code – set is composed by four brackets with screws and steel handle washers.</i></p>	MZFX01
	<p>Wall mounting brackets made of stainless steel 0.08in (2mm) thick. It is the perfect solution when you need to adjust the direction of the flow beam in applications (+/-180°). <i>Product code – set is composed by four brackets with screws and steel handle washers.</i></p>	MZFX02

ORDER CODES

Code	Description
MZ0121S01	MIZAR, 15.35"(390mm), 120°, 12W, 24Vdc, Cable 10ft(3m)
MZ0122S01	MIZAR, 15.35"(390mm), 120°, 12W, 230Vac, Cable 10ft(3m)
MZ0221S01	MIZAR, 27.16"(690mm), 120°, 24W, 24Vdc, Cable 10ft(3m)
MZ0222S01	MIZAR, 27.16"(690mm), 120°, 24W, 230Vac, Cable 10ft(3m)
MZ0321S01	MIZAR, 38.98"(990mm), 120°, 36W, 24Vdc, Cable 10ft(3m)
MZ0322S01	MIZAR, 38.98"(990mm), 120°, 36W, 230Vac, Cable 10ft(3m)
MZ0421S01	MIZAR, 50.79"(1290mm), 120°, 48W, 24Vdc, Cable 10ft(3m)
MZ0422S01	MIZAR, 50.79"(1290mm), 120°, 48W, 230Vac, Cable 10ft(3m)
MZFX01	MIZAR, stainless steel ceiling brackets kit
MZFX02	MIZAR, stainless steel wall brackets kit