

SR0124S01 – 100-240 Vac PS

SIRIO P 1 LED – Panel Mount 25° Optik



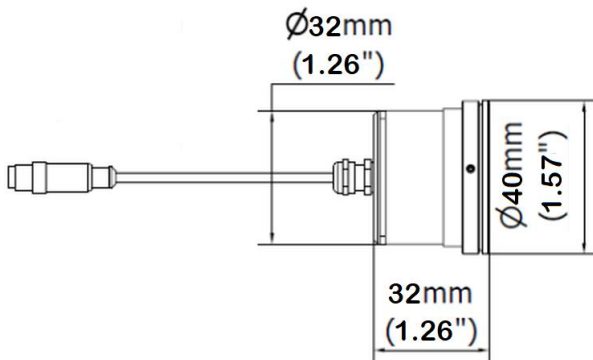
CCEA



Model P1.25.120.C3 - PRODUCT FEATURES

Power usage	3 W @ 700 mA
Power supply	100-240 Vac 700 mA with PSU A045
Light source	1 HIGH POWER LED
Electrical connection	Cable 3m (10ft) with M12-A 3P Male
Color temperature	5000K, CRI 80
Illuminance	1400 lumen @ 20 in (500 mm) Height
Efficiency	200 lumen - 67 lm/W
Light beam angle	25° - Optics
Housing	Anodized aluminum
Front protection	Hardened glass
Protection index	IP68 - IP69
Impact resistance	IK06
Operating temperature	-20°C to + 45°C (-04°F to +113°F)
Weight	0,35 kg (0,77 lb)
Agency approvals	CE, RoHS
Mounting	Threaded ring

DIMENSIONS



ILLUMINANCE

