

SR0321S02

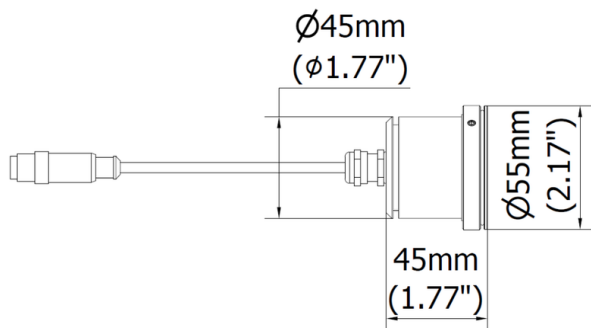
SIRIO P35, 3LED Compact, 40° Optik



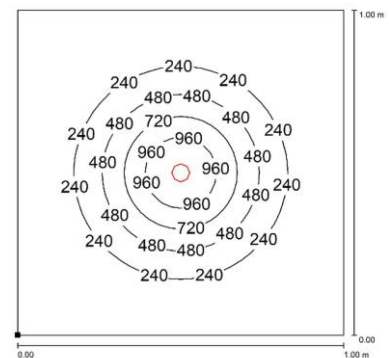
Model: P35.40.24.C3 - PRODUCT FEATURES

Power usage	6 W @ 500 mA
Power supply	22-26 Vdc Built-in Drivers
Light source	3 High Power LED
Electrical connection	Cable 3m (10ft) with M12-A 3P Male
Color temperature	5000 K, CRI 80
Illuminance	960 Lux @ 40 in (1000 mm) Height
Efficiency	405 Lumen, 195 lm/W
Light beam angle	40° Optik
Housing	Anodized aluminum
Front protection	Hardened glass
Protection index	IP68 - IP69
Impact resistance	IK07
Operating temperature	-20°C to + 45°C (-04°F to +113°F)
Weight	0,20 kg (0,44 lb)
Agency approvals	CE, RoHS
Mounting	Threaded ring

DIMENSIONS



ILLUMINANCE



Measurement @ 40 in (1000 mm) Height