

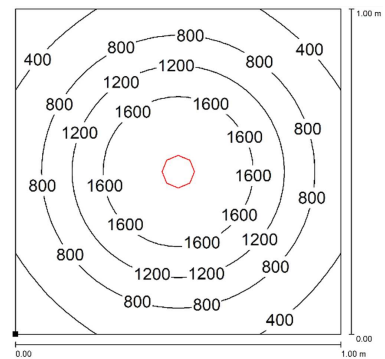
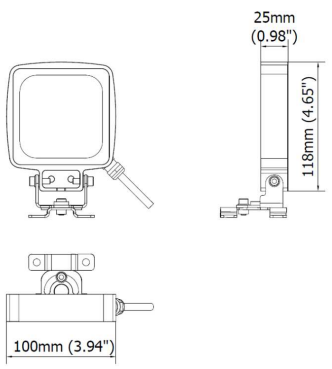
SR0921Q0501

SIRIO Q



PRODUCT FEATURES

Power usage	16 W
Power supply	12-24 Vdc
Light source	LED
Electrical connection	Cable 3 m (10 ft)
Color temperature	5000 K, CRI 80
Luminous flux	1750 lm
Efficiency	109 lm/W
Light beam angle	40°
Housing	Anodized aluminum
Front protection	Tempered glass
Protection index	IP67 – IP69 (compatible with NEMA TYPE 12)
Impact resistance	IK06
Operating temperature	-20 °C to + 45 °C (-04 °F to +113 °F)
Weight	0,75 kg (1,64 lb)
Agency approvals	cURus in compliance with UL2108, CSA C22.2, CE, RoHs
Mounting	SRQFX01(included)



NOTE: Installation Height: 1m