



SIRIO Q  
120 Vac

ENGLISH

Installation Manual



---

## Table of contents

1. Product description .....	3
2. Safety Warning .....	4
2.1 Proper use .....	4
2.2 Product safety. ....	4
2.3 Risk levels .....	6
3. Available versions .....	7
4. Guide to installation .....	8
4.1 Product sizes .....	8
4.2 Mounting accessories.....	8
4.3 Installation .....	9
4.4 Installation with SRQFX01 .....	9
4.5 Adjustment of the light direction .....	10
5. Plug-in .....	11
5.1 Plug-in with M12 connector .....	11
5.2 Plug-in with power cord .....	11
5.3 Power Connection .....	11
6. Switch on-off .....	12
7. Troubleshooting .....	12
8. Light source replacement .....	12
9. Product maintenance and cleaning .....	12
10. Repairs .....	13
11. Warranty .....	13
12. Product Disposal .....	14
13. Technical data.....	14
14. Symbol keys .....	14
15. Declaration of conformity.....	15

## 1. Product Description



- Sirio Q is the LED work light applicable for tractors, trucks, trailers, off-road vehicles, and earth-moving machines.
- Aluminum body and tempered glass lens.  
Features 820lx daylight white LED, 120V AC voltage.
- bar Led Lighting Equipment featuring:
- Anodized aluminum Machine-made body
- Hardened glass front protection
- 7x 3 mid powers Led
- Two optics are available at 40° - 60°
- 5000 K CRI 80 light color  
Highly resistant to mechanical vibrations and processing shavings
- IP 67 degrees of protection
- Plug-in to 120 Vac 60 Hz
- Suitable for wet location
- Cabinet use also includes under-cabinet and surface mounting use, as applicable for cabinet use.
- Sirio Q cannot be installed in a compartment smaller than 30 cm by 30 cm by the length of the product.
- 10 ft (3 meters) power cord
- SRQFX01 Up-Down, Swivel brackets.

## 2. Safety instructions

“Q” Series Lighting has been designed and manufactured based on state-of-the-art techniques.

It is made of well-selected, high-quality materials. It is carefully tested throughout the production process, from the raw material to packaging, following a detailed production schedule to guarantee that the product is safe and reliable.

Material damages and bodily injuries may still occur if not used correctly.



- This manual is part of the luminaire and must always be kept with it.
- Please ensure that ALL instructions/information in this manual is carefully read.
- Strict compliance with the instructions provided in this manual and on the luminaire is required for its correct use.
- Installation and use of Sirio Q are recommended only if it's in perfect conditions and the user is well-acquainted with all safety instructions.

- CCEA waives any responsibility in case of product tampering or improper use

### 2.1 Proper use of the product

- This lighting equipment is applicable for tractors, trucks, trailers, off-road vehicles, earth-moving machines. It is suitable for wet environments.

### 2.2 Product Safety

#### Electrical Risks

Sirio Q's improper and incorrect use may cause bodily injuries and material damages.

- A licensed electrician must carry out all electrical connection procedures.
- Switch off the power supply before installation, maintenance, or reparation procedures.
- Please ensure that the power supply rated tension and frequency meets the requirements shown on the product label. Please respect cable polarity.
- Qualified electricians must only carry out maintenance and repairs.

#### Risk of explosion

The risk of the explosion might occur upon installing and using this product for applications with a high

risk of explosion. It might cause severe body injuries.

- **Do not** install and use this product in hazardous environments (high risk of explosion).

### **Installation and Safety**

- Handle the lamp with care and avoid dropping or hit even if it is still packed, which may cause bodily injuries and material damage.
- Ensure the mounting accessory is original from the manufacturer.
- Set up the mounting brackets correctly.
- The equipment must be correctly fastened using the proper screws according to the application, place, and surface where the product is being mounted.
- Ensure that the mounting brackets are regularly checked.

### **The danger of dazzling glare due to a white light source**

Avoid staring directly at the light source, as it may cause a temporary reduction of vision. Irritation, aches, damages, or accidents may as well occur.

- Avoid staring directly at the light source.
- The device must be adjusted to avoid having the light flow directed towards the eyes.

Using inappropriate spare parts may cause bodily injuries and material damage.

- **Do not** use spare parts not approved by the manufacturer.

### **Damage caused by the presence of laser beams**

The **“Q” Series** Led lighting equipment is **not** allowed when a high-power laser operates since it may damage the Led source.

### **Danger due to high temperatures**

Installing and using the equipment in all the environments where the temperature remarkably exceeds the foreseen operating temperature will considerably reduce Led lifetime and damage the built-in electronic components.

### **Danger due to repairs**

Having the product disassembled or repaired without technical and electrical knowledge may cause damage to persons and objects.

- **Do not** try to repair or disassemble the equipment. Please apply to qualified technicians for any issues.
- Any product tampering or modifications not having been approved by the manufacturer will null and void the warranty.

## 2.3 Risk levels



Dangers where noncompliance may **immediately** cause severe injuries and eventually lead to death.



Dangers who fail to satisfy requirements may lead to severe injuries or even death.



Dangers where failure to satisfy requirements **may** lead to injuries.



Dangers where failure to satisfy requirements **may** cause damage to objects.

### 3. Available versions

Please refer to the table hereunder listing all the luminaires to identify the model you need and its main features to have the equipment correctly and efficiently installed and used.

**Note:** The ID model is found by the laser stamp or printed label stuck on the backside of the product.

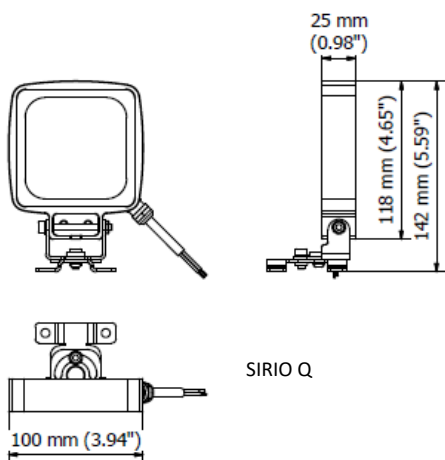
- Find the correct luminaire model comparing the Id Model printed on the back of the luminaire with the table hereunder.

Week and year of production are found on the laser stamp or printed label stuck on the backside of the product.

Model	Color	Optic	Power	Power Usage	E Connection	Weight
SR0924Q01	Silver	40 °	17 W	120 Vac 60 Hz	CABLE 10 ft (3 m)	1.40 lbs. (0,64 kg)
SR0924Q02	Silver	60 °	17 W	120 Vac 60 Hz	CABLE 10 ft (3 m)	1.40 lbs. (0,64 kg)
<b>Complete Product</b>						
SR0924Q0101	Silver	40 °	17 W	120 Vac 60 Hz	CABLE 10 ft (3mt)	1.65 lbs. (0,75 kg)
SR0924Q0201	Silver	60 °	17 W	120 Vac 60 Hz	CABLE 10 ft (3mt)	1.65 lbs. (0,75 kg)

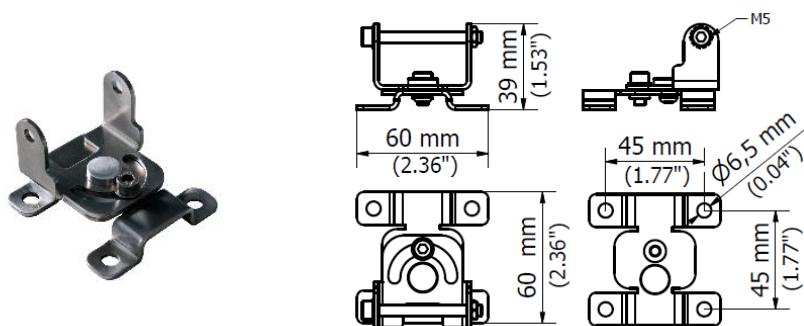
## 4. Guide to installation

### 4.1 Product sizes and accessories



### 4.2 SRQFX01

#### Up-Down, Swivel brackets



cod. **SRQFX01**

Bracket-set in stainless steel

Adjustment left and right rotation A = +90° /- 90°

Adjustment front and back inclination (B) = +90° /- 90°



### 4.3 Installation of SIRIO Q

## CAUTION

#### The lamp fall-down may cause damage to persons and objects

- When mounting the lamp, ensure that the original fastenings are used, which you may purchase from the supplier.
- Mounting Accessories must be correctly mounted

Mount the bracket on the bottom of the head using the supplied 2xM5 screws

## WARNING

- Use 8/32 or M5 Bolts only.
- The surface metal mount must be at least 2 mm thick.
- Using a 7/32- or 5.3-mm drill, bore the mounting surface according to the distance between the center hole, as shown in Fig 1

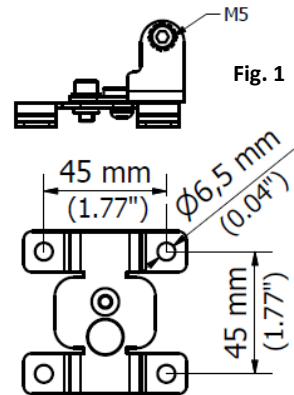
### 4.4 Installation with SRQFX01 Up-Down, Swivel brackets

## WARNING

Switch off the power supply before installation.

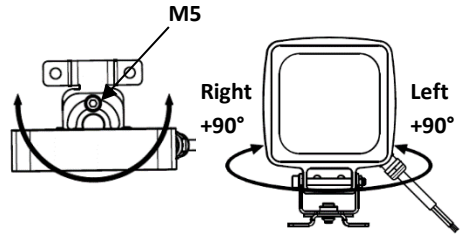
The Kit SRQFX01 IS made of:

- N.1 Up-Down, Swivel Stainless Steel brackets with M5 tighten screws and steel handle washers.
- The direction of the light is adjustable up to  $+90^\circ$  /  $-90^\circ$  back-up-front and  $+90^\circ$  /  $-90^\circ$  left-center-right.



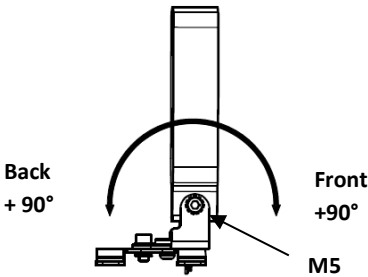
- Use 8/32 or M5 bolts to fix the luminaire. Bolts' length must be chosen according to the surface thickness. The threaded portion must stick through the surface metal with three threads out.
- Drill the four holes for steady mounting
- Thread the four holes

- Place the luminaire assembled with the two side brackets on the metal surface near the four previously drilled and threaded holes.
- Tighten the four bolts firmly.
- Adjust the light direction by tilting and rotating the body head up to +/- 90° see "A" and "B."



#### 4.5 Adjustment of the light direction

**A.** For Front and back adjustment. Untighten the M5 bolt on the bottom head, choose the position, and tighten again.



**B.** For side left adjustment: untighten the M5 bolt on the rear head, choose the position, and tighten again.



- The Bolts M5 allowing rotation mustn't be loosened entirely, for the luminaire may fall.
- Regularly check the bracket, screws, and bolts condition to ensure the luminaire is safely tightened.

NOTE: The mounting accessories may be purchased separately. To know more, please visit [www.ccealights.com](http://www.ccealights.com) or [www.ccealights-usa.com](http://www.ccealights-usa.com) for North America.

## 5. Plug-in



**Liquid Leakage causes damages to the luminaire**

### 5.1 Plug-in with M12 connector

- Sirio Q comes with a standard 10 ft power cord, free end terminals. To assemble an M12 connector, make sure it has the same degree of protection as the luminaire, if not greater.
- Ensure that the power cord is correctly wired to the male connector.

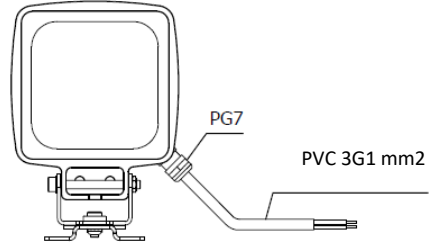
### 5.2 Plug-in with power cord



**Wrong wiring may cause damage to the luminaire.**

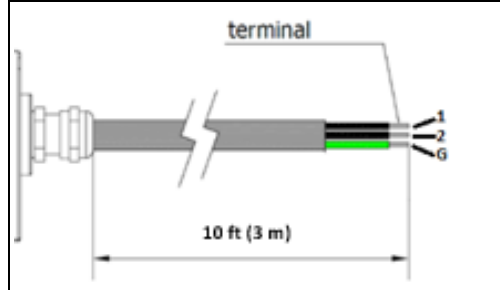
- Qualified electricians must carry out all electrical connections
- Ensure that the supply voltage is respected to avoid damage to the Led drivers
- The voltage range is 100÷120 Vac 60 Hz.
- Respect polarity of conductors

- Supply wiring: located in class 3, any wiring, rated min. 18 AWG, min. 300V, min. 80°C.



### 5.3 Power Connection

Conductor	Number	
Black 1	Hot 120V	Black 1
Black 2	NEUTRAL 0V	Black 2
Yellow/green	GROUND	Yellow/green



#### Power Cord features

PVC outer sheath  
 18 AWG 3G1 mm2  
 10 ft - (3 m)

## 6. Switch on–off

- The luminaire is not equipped with an independent switch on and off.
- The luminaire turns on when plugged in and switches off when the power is off.

## 7. Troubleshooting

In case the lamp doesn't turn on:

- Check that the luminaire is correctly wired to the supply voltage.
- Check that polarity wiring has been carried out correctly.

**Please contact**

**CCEA Technical support Service for defective luminaire**

Phone: +39 0444 572083

Email: [ccea@ccealights.com](mailto:ccea@ccealights.com)

**For North America & Canada, Contact:**

**CCEA Technical Lighting Corp.**

Phone: +1-623-526-9599

Email: [techsupport@ccealights-usa.com](mailto:techsupport@ccealights-usa.com)

## 8. Replacing the Led light source

The outstanding lifetime of the LED light source, over 60.000 hours, makes it unnecessary to replace the PCB LED when the luminaire is correctly installed and used following the instructions in this manual. Contact CCEA's Technical Support service - or your Reseller – if replacing the PCB LED is needed for any defects not covered by the warranty.

## 9. Product maintenance and cleaning

### NOTICE

**Switch off the power before any installation, maintenance, or repair.**

- Luminaire cleaning is carried out only after switched off and the surfaces have cooled down.
- Carefully rinse the luminaire housing with a mild cleanser and then wipe off using a soft cloth to avoid scouring it.

### NOTICE

**Liquid leakage may damage the luminaire.**

- Regular cleaning according to the use and application helps to avoid luminaire damage
- Cleaning operations should be carried out at the end of any working cycle if the luminaire works in environments where lubricants or coolers are present.

## 10. Repairs

### NOTICE

#### **Bad repairs may damage the luminaire.**

- All repairs must be carried out by the manufacturer or by qualified technicians.
- Only use spare parts approved by the manufacturer.

## 11. Warranty

### **Terms of warranty**

CCEA warrants that each new fixture of Sirio Q manufactured and sold is free from material, workmanship, and construction defects.

THIS WARRANTY DOES NOT APPLY TO EQUIPMENT OR GOODS WHICH ARE MISUSED, ABUSED, OR DAMAGED FROM INSTALLATION OR NOT USED FOLLOWING THE SELLER'S INSTRUCTIONS. NORMAL WEAR OF EQUIPMENT OR GOODS IS NOT INCLUDED IN THIS WARRANTY.

Suppose an examination by CCEA discloses that the fixture has defective components. In that case, CCEA's obligation is limited to repair or replacement, at CCEA's option, of the defective unit(s) or its parts.

CCEA is not responsible for fixtures that have been subject to misuse, alteration, accident, or repairs not performed by CCEA. The buyer may incur additional charges for

diagnostic and repair functions performed by CCEA staff. The preceding warranty constitutes CCEA's sole liability.

Given the above, hold the product label to be submitted if any repair or complaints are needed.

Repair and spare parts costs will be notified after the defects have been examined.

The warranty does not cover:

- Transport, packaging, or shipping costs.
- damages or deterioration caused by:
  - Installation and operation are carried out in different ways.
  - Any unauthorized repairs or attempts to repair the product.
  - Equipment operation under environmental conditions other than those specified in the user manual.
  - Liquid leakages inside the luminaire within the warranty period.
  - Failure to follow the safety precautions related to transport and shipping the product back for repair (make sure to have it shipped back in its original case).

### **Period of warranty**

When used under the installation manual and technical instruction provided, it will perform to applicable specifications for 24 months from purchase.

## 12. Product disposal

All the electrical and electronic equipment (WEEE) must be managed with selective waste sorting and cannot be disposed of as municipal waste, as provided in Directive 2012/19/UE.

Given the above, all its components, subsystems, and consumables that are an integral part of the product must be conveyed to the local collection facilities to dispose of them by the current legislation.

Please apply to the council offices of your place of residence to know where the collection facilities are located.



## 13. Technical data

**NOTE:** Please refer to the date printed on the label stuck on the backside of the luminaire.

Power supply	120 VAC 60 Hz
Power input	17 W (see label)
IEC Class	I
Degree of protection	IP67
Driver	I.D.S. Integrated System Driver
Light temperature	5000K
Chromatic Index	80
For any further information please refer to the table at page 7	

## 14. Symbol keys

	CE Conformity marking
	Protection class I device
<b>IP67</b>	Degree of protection IP67
	Resistant against water and some coolant, emulsion, oil
<b>IK06</b>	Impact resistant EN 62262
	<b>WARNING:</b> Cancer and Reproductive Harm <a href="http://www.P65Warnings.ca.gov">www.P65Warnings.ca.gov</a>

## 15. Declaration of conformity

C.C.E.A SRL, via Piave, 2 - 36077 Altavilla Vicentina (VI), Italy – VAT and Tax number 02374040240 hereby declares that the light equipment named SIRIO Q, to which the present Declaration of Conformity is related - was manufactured by CCEA SRL by the following Directives: 2014/35/UE on Low Voltage Equipment Safety and the Directive of Electromagnetic Compatibility 89/336/CEE (EMC) 2014/30/UE. The unit complies with the following regulations:

- **Directives:**



**Machinery Directive 2006/42/EC**  
**Low Voltage Directive 2014/35/EU**  
**EMC Directive 2014/30/EU**

- 



- **Harmonized Standards**

- CEI EN 60598-1 “Lighting equipment. Part 1: General instructions and tests”
- CEI EN 60598-2-4 “Lighting equipment part 2: particular requirements – part 4 Portable general-purpose luminaries”.
- CEI EN 62031 “LED modules for general lighting. Safety specifications”.
- CEI EN 62384 “DC or AC supplied electronic control gear for LED modules. Performance requirements”.

This is a standard product manufactured following a detailed production schedule, ensuring that inspections and destructive tests were carried out to deliver a safe, functional, and sustainable development.

C.C.E.A. SRL disclaims any responsibility resulting from tampering and improper device use.

Date: \_\_\_\_\_

Week of production: \_\_\_\_\_

Product code: \_\_\_\_\_

CCEA Srl

Via Piave 2, 36077 Altavilla Vicentina (VI), Italy  
 Tel. +39 0444 572083 – fax +39 0444 572337