

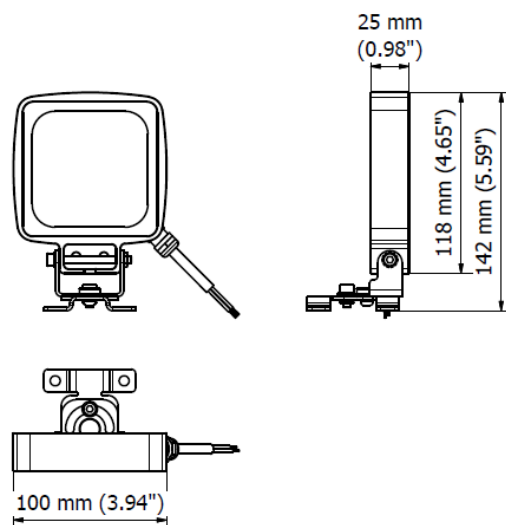
SIRIO Q120V RADIANT LED WORK LIGHT



Sirio Q is the 4in2 (100 mm²) industrial-grade light bar applicable for tractors, trucks, trailers, off-road vehicles, and earth-moving machines. With 1300 lumen, Sirio Q is the most efficient and bright LED work light existing at present. Sirio Q is designed with a machine-made aluminum head combined with a pan & tilt very flexible stainless-steel bracket, allowing to adjust the light in any direction. The hardened front glass and the two optic options with 40° or 60° opening angles provide an intense illumination onto the work area up to 1600 lux from a 3-2/3 ft. distance. Sirio is equipped with high-power LEDs providing natural white light at 5000 K, CRI 80, and creating a very comfortable work environment. Sirio Q is the LED work light luminaire certified with the IP67, IP69 protection rating and is even suitable for wet environments with oil, coolants, lubricants, and dust. With two standard models, Sirio Q allows a secure, fast, and easy electrical junction to 120 Vac 60 Hz with the traditional 10-foot cord.

- Anodized Aluminum Machine-made housing
- Hardened glass front protection resistant to debris impact
- 5000 K CRI 80 High Power Led for intense and uniform illumination
- IP 67 suitable for wet location and presence of coolant lubricant and Dust
- Plug-in to 120 Vac with 10-foot cord
- Two optics 40° - 60° opening Angle
- SRQFX01 Pan & Tilt head adjustment for a precise light adjustment

DIMENSIONS



MECHANICAL FEATURES

Model	SR0924Q01	SR0924Q0101	SR0924Q02	SR0924Q0201
Casing Material	Anodized aluminum			
Side Caps	-			
Surface Treatment	Standard: 10 microns of black aluminum solution oxidation			
Front Glass	0.16 in (4 mm). thick, extra clear tempered glass			
Weight (excluding accessories)	~ 1.40 lb 0,64 kg	~ 1.65 lb 0,75 kg	~ 1.40 lb 0,64 kg	~ 1.65 lb 0,75 kg
Protection Index	IP67 Compatible with Nema Type 12			
Impact Resistance	1.00 N m/s			
Operating Temperature	04 °F (-20 °C) to +113 °F (+ 45 °C)			
Mounting	Bracket not included	Bracket SRQFX01	Bracket not included	Bracket SRQFX01
Installation	Wet location / Cabinet surface mount			

ELECTRICAL FEATURES

Model	SR0924Q01	SR0924Q0101	SR0924Q02	SR0924Q0201
Power Input	17 W			
Power Supply	100-120 Vac – 60Hz			
Current	0,14 A			
Device Power Protection	Voltage spike input			
Electrical Connection	Cable L. 10 ft (3 m)			
Insulation Class	Class I			
Efficiency Class	A/A+/A++/A+++ (Integrated LED module) compliant with UE Law No. 874/2012			

CONNECTION

PVC 3G 1 mm² L= 10 ft. (3 m)

Wire

Connection

Black 1

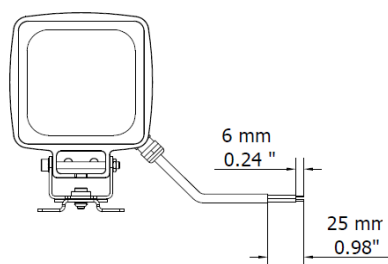
L – 120 Vac

Black 2

N – 120 Vac

Yellow / Green

GND



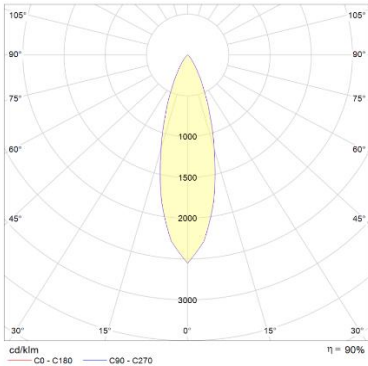
OPTICAL FEATURES

Model	N° and Type of LEDs	LED Lifespan	Light Color	CRI	Light Beam Angle	Luminous Flux	Efficiency
SR0924Q01	7x3 mid LED	60 000 h L70 **	5,000 K	80	40 ° Optics	~ 1300 lm	~ 76 lm/W
SR0924Q0101	7x3 mid LED	60 000 h L70 **	5,000 K	80	40 ° Optics	~ 1300 lm	~ 76 lm/W
SR0924Q02	7x3 mid LED	60 000 h L70 **	5,000 K	80	60 ° Optics	~ 1200 lm	~ 70lm/W
SR0924Q0201	7x3 mid LED	60 000 h L70 **	5,000 K	80	60 ° Optics	~ 1200 lm	~ 70lm/W

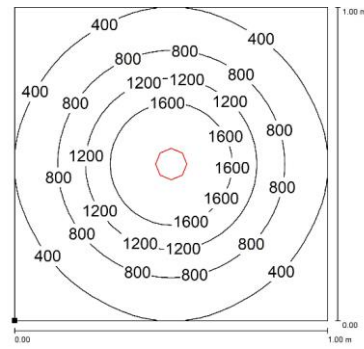
** Flow beam reduced by less than 30% after 60,000 hours

PHOTOMETRIC DIAGRAMS

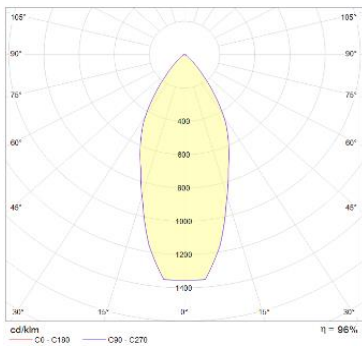
40° Optics



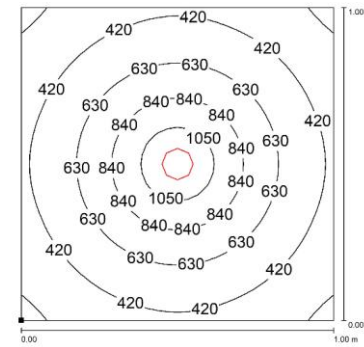
SR0924Q01/SR0924Q0101



60° Optics



SR0924Q02/SR0924Q0201



Distance graphic: 1m

MOUNTING OPTIONS

Product pictures

Description

Code product



Bracket-set in chromium-plated stainless steel
Adjustment left and right rotation A = +90° /- 90°
Adjustment front and back inclination (B) = +90° /- 90°

SRQFX01

ORDER CODES

Model	Description
SR0924Q01	SIRIO Q, 40°, 17W, 120Vac, Cable 10ft(3m)
SR0924Q02	SIRIO Q, 60°, 17W, 120Vac, Cable 10ft(3m)
SR0924Q0101	SIRIO Q, 40°, 17W, 120Vac, Cable 10ft(3m) + Q SERIES, stainless steel swivel base bracket kit
SR0924Q0201	SIRIO Q, 60°, 17W, 120Vac, Cable 10ft(3m) + Q SERIES, stainless steel swivel base bracket kit
SRQFX01	Q SERIES, stainless steel swivel base bracket kit