

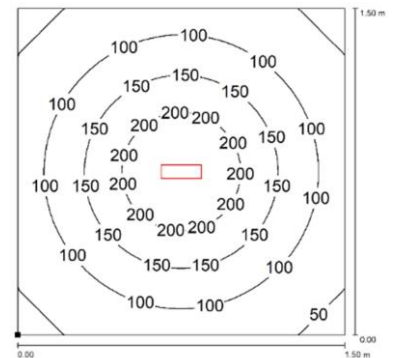
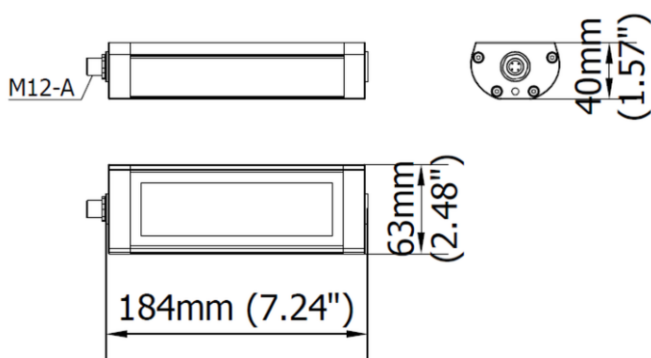
SY0121S01

SYRMA



PRODUCT FEATURES

Power usage	6,5 W
Power supply	24 Vdc
Light source	LED
Electrical connection	M12-A 4P Male
Color temperature	5000K, CRI 80
Luminous flux	650 lm
Efficiency	100 lm/W
Light beam angle	120°
Housing	Anodized aluminum
Front protection	Tempered glass
Protection index	IP67
Impact resistance	IK06
Operating temperature	-20°C to + 45°C (-04°F to +113°F)
Weight	0,55 kg (1,21 lb)
Agency approvals	CE, RoHS
Mounting	SYFX01, B03



NOTE: Installation Height: 1m