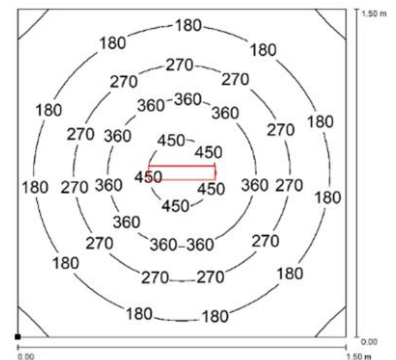
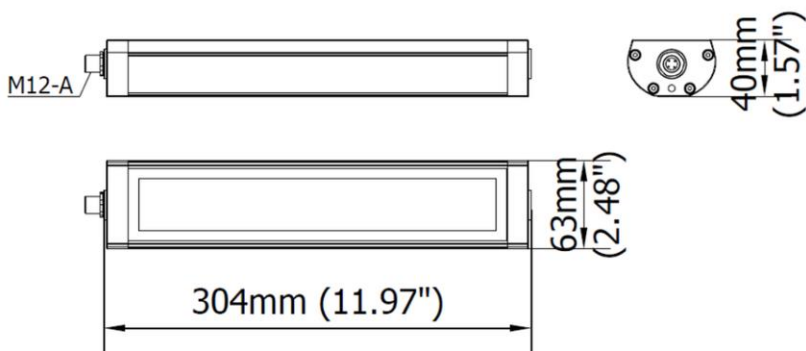




PRODUCT FEATURES

| | |
|------------------------------|-----------------------------------|
| Power usage | 13 W |
| Power supply | 24 Vdc |
| Light source | LED |
| Electrical connection | M12-A 4P Male |
| Color temperature | 5000K, CRI 80 |
| Luminous flux | 1300 lm |
| Efficiency | 100 lm/W |
| Light beam angle | 120° |
| Housing | Anodized aluminum |
| Front protection | Tempered glass |
| Protection index | IP67 |
| Impact resistance | IK06 |
| Operating temperature | -20°C to + 45°C (-04°F to +113°F) |
| Weight | 0,90 kg (1,92 lb) |
| Agency approvals | CE, RoHS |
| Mounting | SYFX01, B03 |



NOTE: Installation Height: 1m