



**E506617**

**LOW VOLTAGE LUMINAIRE**

# TRACKALPHA PRO Series

# ENGLISH

24 Vdc

**Installation Manual**



## Table of contents

1. Product description.....	3
2. Safety Warnings .....	4
2.1 Proper use .....	4
2.2 Product safety .....	4
2.3 Risk levels.....	6
3. Available versions.....	7
4. Guide to installation .....	8
4.1 Product sizes .....	8
4.2 Mounting accessories.....	8
4.3 Installation .....	9
5. Plug-in .....	10
5.1 Plug-in with M12 connector.....	11
5.2 Power cord .....	11
5.3 Integrated Power Cord .....	11
6. Switch on-Switch off .....	12
7. Problem solving .....	12
8. Light source replacement .....	12
9. Product maintenance and cleaning .....	12
10. Repairs.....	13
11. Warranty .....	13
12. Product Disposal .....	14
13. Technical data... ..	14
14. Meaning of symbol keys .....	15
15. Declaration of conformity.....	16

## 1. Product Description

- LED Lighting Equipment suitable for medium and large-sized industrial machine tools, anodized aluminum structure with painted side caps
- Tempered satin glass front protection
- High power Led light source
- White homogeneous light
- Highly resistant to impacts, mechanical vibrations and processing shavings
- IP 67 degree of protection lamp with Viton seals
- Plug-in to 24VAC with M12 connector
- Five lengths available
- Suitable for wet location
- For cabinet use only
- CAUTION: To reduce the risk of fire, do not install in a compartment smaller than 11.8 in<sup>2</sup> (30cm<sup>2</sup>) by length of product.
- Cabinet use also includes under-cabinet and surface mounting use, as applicable.

On request:

- 16 ft (5 m) power cord
- TAFX02 Side-mounting brackets
- TACLIP rear clips

## 2. Safety instructions

Each lighting device in the **TRACKALPHA PRO** series was designed and manufactured based on state-of-the-art techniques.

It is made of well-selected, high-quality materials. It is carefully tested throughout the production process, from the raw material through to packaging, following a detailed production schedule so as to guarantee that the product is safe and reliable

Material damages, as well as bodily injuries, may nevertheless still occur while using it.



- This manual is part of the equipment and must always be kept with it.
- Please make sure that ALL instructions/information in this manual is carefully read through.
- Strict compliance with the instructions provided in this manual and on the lighting equipment is required for its correct use
- Installation and use of the product is recommended only

provided it is in perfect conditions, and the user is well-acquainted with all safety instructions

- CCEA, the manufacturer, waives any responsibility in case of product tampering or improper use.

### 2.1 Proper use of the product

This lighting equipment is fit for being installed inside machine tools, even in a wet environment

### 2.2 Product safety

#### Electrical Risks

The improper and incorrect use of the equipment may cause bodily injuries and material damages.

- All electrical connection procedures must be carried out by a licensed electrician.
- Switch off the power supply before any installation, maintenance or reparation procedures.
- Ensure to connect to a 24VDC power supply unit.
- Please ensure that the power supply rated tension and frequency meets the requirements shown on the product label.
- Maintenance and reparations must only be carried out by qualified electricians.

### **Risk of explosion**

The Risk of the explosion might occur upon installing and using this product for applications with a high risk of explosion. It might cause severe body injuries.

- **Do not** install and use this product in hazardous environments (high risk of explosion).

### **Installation and safety**

- Handle the lamp with care and avoid having it drop or being hit even it is still packed which might cause body injuries, as well as material damages.
- Ensure the original mounting accessories are used, as available from the manufacturer.
- Set up the mounting accessories properly.
- The equipment must be correctly fastened using the proper screws according to the application, place and surface where the product is being mounted.
- Ensure that the fastenings are regularly checked.

### **Danger of dazzling glare due to a white light source**

Avoid staring directly at the light source, as it may cause a temporary reduction of vision. Irritation, aches, damages or accidents may as well occur.

- Avoid staring directly at the light source.

- The device must be adjusted so as to avoid having the light flow directed towards the eyes.

### **Inappropriate spare parts cause danger.**

Using inappropriate spare parts may cause bodily injuries and material damage.

- **Do not** use spare parts that the manufacturer has not approved.

### **Damage caused by the presence of laser beams**

The TRACKALPHA PRO LED lighting equipment **is not** allowed when a high-power laser cutting system operates since it may damage the LED source.

### **Danger due to high temperatures**

Installing and using the equipment in all the environments where the existing temperature remarkably exceeds the foreseen operating temperature will considerably reduce LED lifetime while damaging as well the built-in electronic components.

- **Do not** use this Device in environments where the operating temperature of the device is exceeded.
- **Operating temperature -20/+45°C**
- Avoid direct solar radiation.

## Danger due to repairs

Having the product disassembled or repaired without any appropriate technical /electrical knowledge may cause damages to persons and objects.

➤ **Do not** try to repair or disassemble the equipment. Please apply to qualified technicians for any issues.

Any product tampering or modifications not having been approved by the manufacturer will null and void the warranty.

## 2.3 Damage risk levels



### DANGER

Dangers where noncompliance may **immediately** severe injuries and eventually lead to death.



### WARNING

Dangers where failure to satisfy requirements **may** lead to severe injuries and even death.



### CAUTION

Dangers where failure to satisfy requirements **may** lead to injuries.

### NOTICE

Dangers where failure to satisfy requirements **may** cause damages to objects.

### 3. Available versions

Please refer to the table hereunder listing all the lighting equipment, for you to identify the version you need and its main features, for you to have the lighting equipment correctly and efficiently installed and used.

**Note:** The product code is found on the brand name label stuck on the product's backside.

- Find out the product code printed on the brand name label and see if you find it on the table hereunder;
- Compare the codes and see if you can identify the same model on the table hereunder;
- The code printed on the brand name label shows the device's week and year of production.

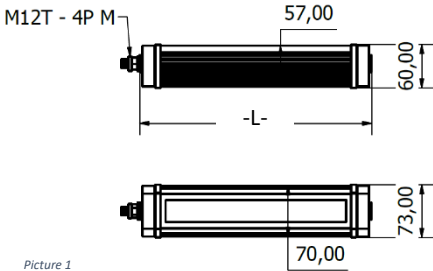
*Note: Do not discard the product labeling which may be requested in case of a complaint.*

Version with M12 Connector T Coding							
Model	Length	Optics		Power	Power Usage	E Connection	Weight
TA0221S02W	12.64 in (321 mm)	Diffuser	120°	13 W	22-28 Vdc	M12-T 4P Male	2.40 lb (1.10 kg)
TA0321S02W	17.36 in (441 mm)	Diffuser	120°	19.5 W	22-28 Vdc	M12-T 4P Male	3.39 lb (1.55 kg)
TA0521S02W	26.81 in (681 mm)	Diffuser	120°	32.5 W	22-28 Vdc	M12-T 4P Male	5.27 lb (2.40 kg)
TA0721S02W	36.26 in (921 mm)	Diffuser	120°	45.5 W	22-28 Vdc	M12-T 4P Male	7.03 lb (3.20 kg)
TA1021S02W	50.43 in (1281 mm)	Diffuser	120°	65 W	22-28 Vdc	M12-T 4P Male	10.00 lb (4.55 kg)
Version with cable							
TA0221S03W	12.64 in (321 mm)	Diffuser	120°	13 W	22-28 Vdc	CABLE 10 ft (3mt)	2.65 lb (1.20 kg)
TA0321S03W	17.36 in (441 mm)	Diffuser	120°	19.5 W	22-28 Vdc	CABLE 10 ft (3mt)	3.64 lb (1.65 kg)
TA0521S03W	26.81 in (681 mm)	Diffuser	120°	32.5 W	22-28 Vdc	CABLE 10 ft (3mt)	5.62 lb (2.55 kg)
TA0721S03W	36.26 in (921 mm)	Diffuser	120°	45.5 W	22-28 Vdc	CABLE 10 ft (3mt)	7.28 lb (3.30 kg)
TA1021S03W	50.43 in (1281 mm)	Diffuser	120°	65 W	22-28 Vdc	CABLE 10 ft (3mt)	10.25 lb (4.65 kg)

Table 1

## 4. Guide to installation

### 4.1 Product size and accessories



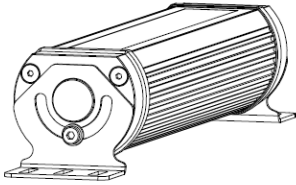
Picture 1

Model	L
TA0221S02W TA0221S03W	321 mm
TA0321S02W TA0321S03W	441 mm
TA0521S02W TA0521S03W	681 mm
TA0721S02W TA0721S03W	921 mm
TA1021S02W TA1021S03W	1281 mm

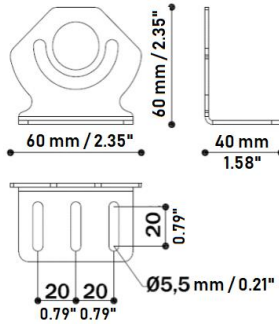
Table 2

### 4.2 Mounting accessories

#### TAFX02, Kit- Stein-Steel Side mount brackets



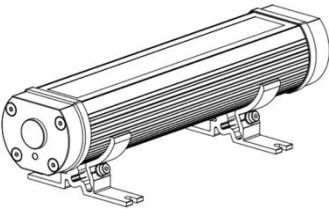
Picture 2



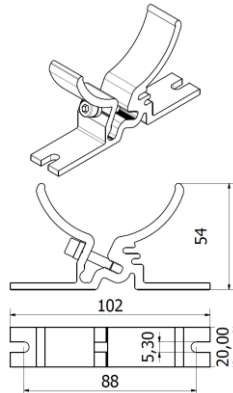
-90° / +90°



#### TACLIP Kit- Clip Aluminum, rear mounting

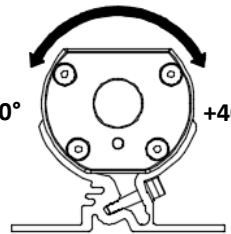


Picture 3



-40°

+40°





### 4.3 Installation



#### CAUTION

#### The lamp fall-down may cause damage to persons and objects

- When mounting the lamp ensure that the original fastenings are used, which you may purchase from the supplier.
- Make sure the mounting accessories have correctly installed

### 4.4 Correct installation using the original side-mounting brackets TAFX02



#### WARNING

**Switch off power supply before proceeding to installation.**

The TAFX02 TRACKALPHA side mounting accessories are made of:

- No.2 stainless-steel "L" Brackets
- No. 2 M6 screws
- No. 2 washers
- The direction of the luminous flux is adjustable up to +/- 90°.

#### Installation with TAFX02 side-mounting brackets

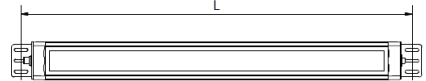
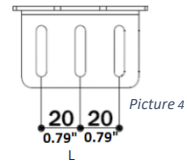
- Mount the two side brackets on the luminaire using the supplied 2 x M6 Screws



#### WARNING

Picture 05

- Use 8/32 or M5 screw only.
- The surface metal mount must be at least 2 mm thick.
- Refer to table 3 for the correct distance between center holes

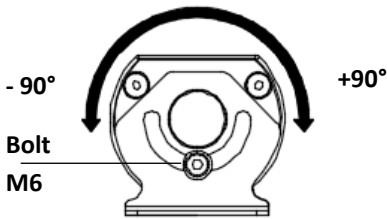


Model	L
TA0222S02W/03W	~ 358 mm
TA0322S02W/03W	~ 478 mm
TA0522S02W/03W	~ 718 mm
TA0722S02W/03W	~ 958 mm
TA1022S02W/03W	~ 1318 mm

Table 3

- Use 8/32 or M5 screw to fix the luminaire. Screw's length must be chosen according to the surface thickness. The threaded portion sticks through the surface metal with three threads out.
- Drill 4 holes for steady mounting
- Thread the four holes
- Place the luminaire assembled with the two side brackets on the metal surface near the four previously drilled and threaded holes.

- Tighten the four bolts firmly.
- Adjustment of the light direction by rotating the luminaire up to 90°. Tighten the 2 M6 screw (see picture 6)



Picture 6

## NOTICE

### Damaged or broken lamp

- When side mounting the lamp ensure to never completely loosen the M6 screws allowing for lamp rotation, to avoid having the lamp fall down.
- The side brackets as well as the screws tightening have to be checked on a regular basis.

NOTE: The mounting accessories are purchased separately. To know more, please visit [www.ccealights.com](http://www.ccealights.com).

## 4.5 Correct installation using the original rear-mounting brackets



### WARNING

**Switch off the power supply before installation.**

The TACLIP TRACKALPHA PRO rear mounting accessories are made of:

- No. 2 Aluminum Anodized Clips
- No. 2 M5 screws
- No. 2 washers

The direction of the luminous flux is adjustable up to +/- 40°.

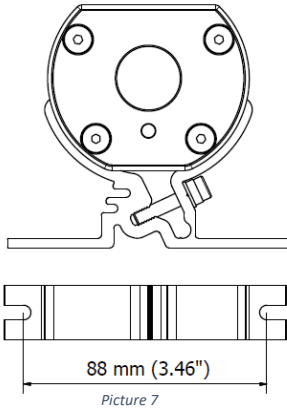
### Installation with TACLIP rear-mounting clips

- Mount the two clips on the pre-drilled metal surface

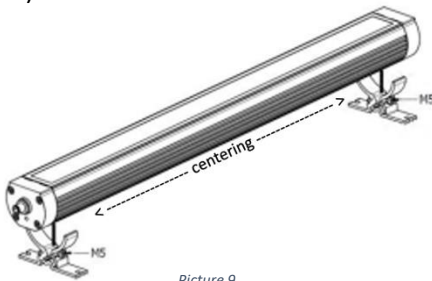


### WARNING

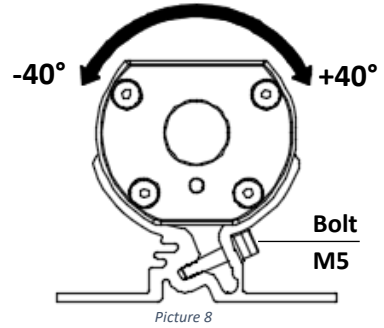
- Use 8/32 or M5 screw only.
- The surface metal mount must be at least 2 mm thick.
- Refer to Picture 6 for the correct distance between center holes



- Use 8/32 or M5 screw to fix the clips. Screw's length must be chosen according to the surface thickness. The threaded portion sticks through the surface metal with at least three threads out.
- Drill 4 holes for steady mounting
- Thread the four holes
- Place the rear side of the luminaire on the two clips previously mounted. (See picture 8)



- make sure that it is perfectly centered
- Adjustment of the light direction by rotating the luminaire up to 40°. Tighten the 2 M5 screw (see picture 9)



## 5. Plug-in

### NOTICE

#### Liquid Leakage causes damages to the luminaire

- Use a Cable M12 connector securing the same degree of protection as the luminaire, if not greater.
- Ensure that the power cord is correctly plugged into the female connector.

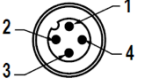
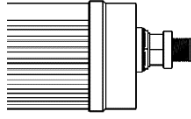

#### 5.1 Plug-in with M12 connector

### NOTICE



#### Wrong wiring may cause damages to the luminaire.

- Qualified electricians must carry out all electrical connections.
- Supply wiring: located in class 2, any wiring, rated min. 20 AWG, min. 50V, min. 90°C.

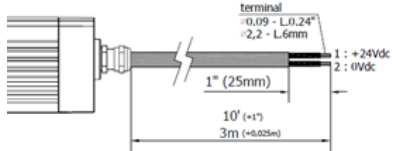
**M12 4P Male connector T Coding**

Male	Pin	
	1	24VDC
	2	NOT CONNECTED
	3	GROUND
	4	NOT CONNECTED
		

**5.2 Pre-assembled Power Cord with Straight Female M12 Connector -**

Female	Pin	Conductor	
	1	Brown	24VDC
	2	White	NOT CONNECTED
	3	Blue	GROUND
	4	Black	NOT CONNECTED
	<b>Code M12AFC5</b> M12 4 poles T Coding, 250V 4A, four conductors 18AWG, 0.75mm <sup>2</sup> , IP67, PUR outer Sheath.		

**5.3 Integrated Power Cord**

Wire	
Black 1	24VDC
Black 2	GROUND
	
<b>10 ft (3 m)</b>	
<b>Power Cord</b> PVC Cable PVC 2x0,75mmq UL 90° grey, 3m	

## 6. Switch on – off

- The luminaire is not equipped with an independent switch on and off.
- The luminaire switches on when plugged in and switches off when the power is off.

## 7. Troubleshooting

In case the luminaire doesn't turn on:

- Check that the luminaire is correctly wired to the supply voltage.
- Check that polarity wiring has been carried out correctly.

**Please contact**

**CCEA Technical support Service for defective luminaire**

Phone: +39 0444 572083

Email: [ccea@ccealights.com](mailto:ccea@ccealights.com)

**For North America & Canada Contact:**

**CCEA Technical Lighting Corp.**

Phone: +1-623-526-9599

Email: [techsupport@ccealights-usa.com](mailto:techsupport@ccealights-usa.com)

## 8. Replacing the LED light source

The outstanding lifetime of the LED light source, over 60.000 hours, makes it unnecessary to replace the PCB LED if the lamp is installed correctly and used following the instructions in this manual. Contact CCEA's Technical Support service - or your Reseller – if replacing the PCB LED is needed for any defects not covered by the warranty.

## 9. Product maintenance and cleaning

### NOTICE

**Switch off the power supply before any installation, maintenance, or repair procedures.**

This product is maintenance-free.

- Luminaire cleaning is carried out only after switched off and the surfaces have cooled down.
- Carefully rinse the lamp surface with a mild cleanser and then wipe off using a soft cloth to avoid scouring it.

### NOTICE

**All material damages caused by liquid leakage may damage the lamp**

- If the lamp works in environments where lubricants or coolers are present, all cleaning operations should be carried out at the end of the working cycle.

## 10. Repairs

### NOTICE

#### Bad repairs may damage the luminaire

- All repairs must be carried out by the manufacturer or by qualified technicians.
- Only use spare parts approved by the manufacturer.

## 11. Warranty

### Terms of warranty

CCEA warrants that each new fixture of TRACKALPHA PRO manufactured and sold is free from material, workmanship, and construction defects.

THIS WARRANTY DOES NOT APPLY TO EQUIPMENT OR GOODS WHICH ARE MISUSED, ABUSED, OR DAMAGED FROM INSTALLATION OR NOT USED FOLLOWING THE SELLER'S INSTRUCTIONS. NORMAL WEAR OF EQUIPMENT OR GOODS IS NOT INCLUDED IN THIS WARRANTY.

Suppose an examination by CCEA discloses that the fixture has defective components. In that case, CCEA's obligation is limited to repair or replacement, at CCEA's option, of the defective unit(s) or its parts.

CCEA is not responsible for fixtures that have been subject to misuse, alteration, accident, or repairs not performed by CCEA. The buyer may

incur additional charges for diagnostic and repair functions performed by CCEA staff.

The preceding warranty constitutes CCEA's sole liability.

Given the above, hold the product label to be submitted if any repair operations are needed.

Repair and spare parts costs will be notified after the defects have been examined.

The warranty does not cover:

- Transport, packaging, or shipping costs.
- damages or deterioration caused by:
  - Installation and operation are carried out in different ways.
  - Any unauthorized repairs or attempts to repair the product.
  - Equipment operation under environmental conditions other than those specified in the user manual.
  - Liquid leakages inside the luminaire
  - Failure to follow the safety precautions related to transport and shipping the product back for repair (make sure to have it shipped back in its original case).

### Period of warranty

When used under the installation manual and technical instruction provided, it will perform to applicable specifications for 24 months from purchase.

## 12. Product disposal (EU Regulation)

All the electrical and electronic equipment (WEEE) must be managed with selective waste sorting and cannot be disposed of as municipal waste, as provided in Directive 2012/19/UE.

Given the above, this equipment, all its components, sub-systems, and consumables, which are an integral part of the product, must be conveyed to the local collection facilities to dispose of them by the current legislation.

Please apply to the council offices of your place of residence to know where the collection facilities are located.







## 13. Technical data

Power supply	24 Vac
Power input	13 - 19.5 - 32.5 - 45.5 - 65 W
IEC Class	III
Degree of protection	IP67 compatible with NEMA 12
Driver	I.D.S. Integrated System Driver
Light temperature	5000 K
Chromatic Index	CRI 80
Operating temperature	-20 / +45 °C
For any further information please refer to the table at page 7	

**NOTE: Please refer to the information printed on the label or engraved on the lamp.**

## 14. Symbol list

	CE Conformity marking
	Protection class I device
<b>IP67</b>	Degree of protection IP67
	UL 2108 STANDARD FOR LOW VOLTAGE LIGHTING SYSTEM – Edition 2 – Revision Date 2017/05/30 CSA C22.2 NO.9.0-96 LUMINAIRES – Edition 1 – Revision Date 1998/07/01. Reaff. 2016
	<b>WARNING:</b> Cancer and Reproductive Harm <a href="http://www.P65Warnings.ca.gov">www.P65Warnings.ca.gov</a>

## 15. Declaration of Conformity

C.C.E.A. SRL, via Piave, 2 - 36077 Altavilla Vicentina (VI), Italy – VAT and Tax number 02374040240 declares that the luminaire named TRACKALPHA PRO – to which the present Declaration of Conformity is related - was manufactured by CCEA SRL in accordance with the following Directives: 2014/35/UE on Low Voltage Equipment Safety and the Directive of Electromagnetic Compatibility 89/336/CEE (EMC) 2014/30/UE. The unit complies with the following regulations:

- **Directives:**



**Machinery Directive 2006/42/EC**

**EMC Directive 2014/30/EU**

- **Certification**



- **Harmonized Standards**

CEI EN 60598-1 “Lighting equipment. Part 1: General instructions and tests”

CEI EN 60598-2-4 “Lighting equipment part 2: particular requirements – part 4 Portable general-purpose luminaries”.

CEI EN 62031 “LED modules for general lighting. Safety specifications”.

CEI EN 62384 “DC or AC supplied electronic control gear for LED modules. Performance requirements”.

This is a standard product manufactured following a detailed production schedule, ensuring that inspections and destructive tests were carried out to deliver a safe, functional, and sustainable development.

C.C.E.A. SRL disclaims any responsibility resulting from tampering and improper device use.

Date: \_\_\_\_\_

Week of production: \_\_\_\_\_

Product code: \_\_\_\_\_

**CCEA Srl**

Via Piave 2, 36077 Altavilla Vicentina (VI), Italy  
Tel. +39 0444 572083 – fax +39 0444 572337





# TRACKALPHA PRO

Installation Manual

ENGLISH



## Table of contents

1. Product description.....	3
2. Safety Warnings .....	4
2.1 Proper use .....	4
2.2 Product safety .....	4
2.3 Risk levels.....	6
3. Available versions.....	7
4. Guide to installation .....	8
4.1 Product sizes .....	8
4.2 Mounting accessories.....	8
4.3 Installation with TAFX03.....	9
4.4 Installation with TACLIP .....	10
5. Plug-in .....	11
5.1 Plug-in with M12 connector.....	11
5.2 Power cord .....	12
5.3 Integrated Power Cord .....	12
6. Switch on-Switch off .....	13
7. Troubleshooting.....	13
8. Light source replacement .....	13
9. Product maintenance and cleaning.....	13
10. Repairs.....	14
11. Warranty .....	14
12. Product Disposal .....	14
13. Technical data... ..	15
14. Meaning of symbol keys .....	16
15. Declaration of conformity.....	17

## 1. Product Description



- LED Lighting Equipment suitable for medium and large-sized industrial machine tools, anodized aluminum structure with painted side caps
- Hardened glass front protection
- High power Led light source
- White homogeneous light
- Highly resistant to impacts, mechanical vibrations, and processing shavings
- IP 67 degree of protection lamp with Viton seals
- Plug-in to 120 Vac with M12 connector
- Four lengths available
- Suitable for wet location
- Suitable for under cabinet mount
- CAUTION: To reduce the fire risk, do not install in a compartment smaller than 11.8 in<sup>2</sup> (30cm<sup>2</sup>) by-product length.
- Cabinet use also includes under-cabinet and surface mounting use, as applicable.

### Options:

- 16 ft (5 m) power cord
- TAFX03 Side-mounting brackets
- TACLIP rear clips

## 2. Safety instructions

Each lighting device in the **TRACKALPHA PRO** series was designed and manufactured based on state-of-the-art techniques.

It is made of well-selected, high-quality materials. It is carefully tested throughout the production process, from the raw material to packaging, following a detailed production schedule to guarantee that the product is safe and reliable.

Material damages, as well as bodily injuries, may nevertheless still occur while using it.



- This manual is part of the equipment and must always be kept.
- Please ensure that ALL instructions/information in this manual is carefully read.
- Strict compliance with the instructions provided in this manual and on the luminaire is required for its correct use.
- Installation and use of the product are recommended only provided it is in perfect condition, and the user is well-acquainted with all safety instructions.

- CCEA, the manufacturer, waives any responsibility in case of product tampering or improper use.

### 2.1 Proper use of the product

This lighting equipment is fit for being installed inside machine tools, even in a wet environment

### 2.2 Product safety

#### Electrical Risks

The improper and incorrect use of the equipment may cause bodily injuries and material damage.

- A licensed electrician must carry out all electrical connection procedures.
- Switch off the power supply before installation, maintenance, or reparation procedures.
- Ensure to connect to a 110Vac power supply unit. Please respect the polarity of electric conductors.
- Please ensure that the power supply rated tension and frequency meets the requirements shown on the product label.
- Qualified electricians must only carry out maintenance and reparations.

#### Risk of explosion

The Risk of the explosion might occur upon installing and using this product for applications with a high risk of

explosion. It might cause severe body injuries.

- **Do not** install and use this product in hazardous environments (high risk of explosion).

### **Installation and Safety**

- Handle the lamp with care and avoid having it drop or hit even if it is still packed, which might cause bodily injuries and material damage.
- Ensure the original mounting accessories are used, as available from the manufacturer.
- Set up the mounting accessories correctly.
- The equipment must be correctly fastened using the proper screws according to the application, place, and surface where the product is being mounted.
- Ensure that the fastenings are regularly checked.

### **The danger of dazzling glare due to a white light source**

Avoid staring directly at the light source, as it may cause a temporary reduction of vision. Irritation, aches, damages, or accidents may as well occur.

- Avoid staring directly at the light source.
- The device must be adjusted to avoid having the light flow directed towards the eyes.

### **Inappropriate spare parts cause danger.**

Using inappropriate spare parts may cause bodily injuries and material damage.

- **Do not** use spare parts that the manufacturer has not approved.

### **Damage caused by the presence of laser beams**

The TRACKALPHA LED lighting equipment **is not** allowed when a high-power laser cutting system operates since it may damage the LED source.

### **Danger due to high temperatures**

Installing and using the equipment in all the environments where the current temperature remarkably exceeds the foreseen operating temperature will considerably reduce LED lifetime while damaging the built-in electronic components.

- **Do not** use this Device in environments where the device's operating temperature is exceeded.
- **Operating temperature -4/+113°F (-20/+45°C)**
- Avoid direct solar radiation.

### Danger due to repairs

Having the product disassembled or repaired without appropriate technical /electrical knowledge may cause damage to persons and objects.

- **Do not** try to repair or disassemble the equipment. Please apply to qualified technicians for any issues. Any product tampering or modifications not having been approved by the manufacturer will null and void the warranty.

### 2.3 Damage risk levels



Dangers where noncompliance may **immediately** cause severe injuries and eventually lead to death.



Dangers where failure to satisfy requirements **may** lead to severe injuries and even death.



Dangers where failure to satisfy requirements **may** lead to injuries.



Dangers where failure to satisfy requirements **may** cause damage to objects.

### 3. Available versions

Please refer to the table hereunder listing all the lighting equipment, for you to identify the version you need and its main features, for you to have the lighting equipment correctly and efficiently installed and used.

**Note:** The product code is found on the brand name label stuck on the product's backside.

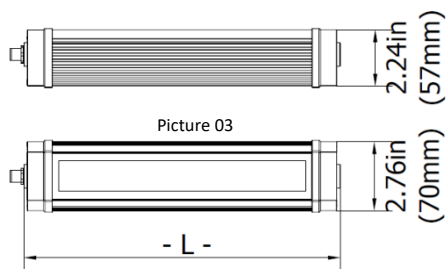
- Find out the product code printed on the brand name label and see if you find it on the table hereunder.
- Compare the codes and see if you can identify the same model on the table hereunder.
- The code printed on the brand name label shows the device's week and year of production.

*Note: Do not discard the product labeling which may be requested in case of a complaint.*

Version with M12 Connector A Coding						
Model	Length	Optics	Power	Power Usage	E Connection	Weight
TA0224S01	12.64 in (321 mm)	Diffuser 120°	13 W	120 V	M12-A 4P Male	3.16 lbs (1,43 kg)
TA0324S01	17.36 in (441 mm)		19.5 W			4.05 lbs (1,84 kg)
TA0524S01	26.81 in (681 mm)		32.5 W			5.66 lbs (2,57 kg)
TA0724S01	36.26 in (921 mm)		46 W			7.41 lbs (3,36 kg)
Version with cable						
TA0224S02	12.64 in (321 mm)	Diffuser 120°	13 W	120 V	CABLE 10 ft (3 m)	3.61 lbs (1,64 kg)
TA0324S02	17.36 in (441 mm)		19.5 W			4.50 lbs (2,04 kg)
TA0524S02	26.81 in (681 mm)		32.5 W			6.82 lbs (2,82 kg)
TA0724S02	36.26 in (921 mm)		46 W			7.86 lbs (3,56 kg)

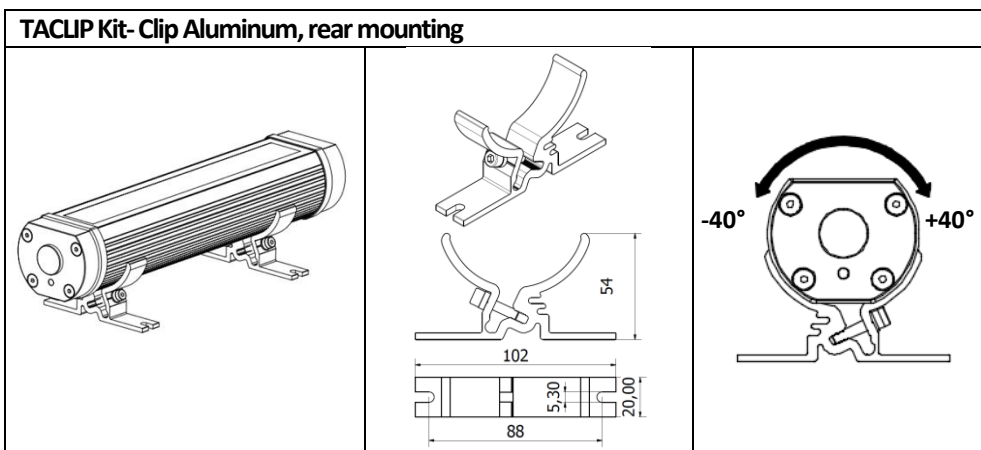
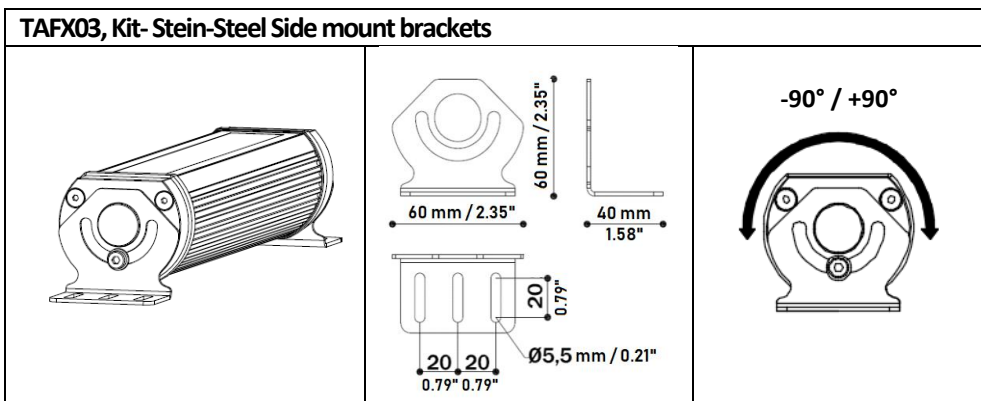
## 4. Guide to installation

### 4.1 Product size and accessories



Model	L
TA0224S01 TA0224S02	12,64 in (321 mm)
TA0324S01 TA0324S02	17,36 in (441 mm)
TA0524S01 TA0524S02	26,81 in (681 mm)
TA0724S01 TA0724S02	36,26 in (921 mm)

### 4.2 Mounting accessories





**4.3 Installation**



**The lamp fall-down may cause damage to persons and objects**

- Use original brackets that may be purchased from the supplier or exclusive dealer.
- Make sure the mounting accessories are correctly installed.

**4.4 Correct installation using the original side-mounting brackets TAFX03**



**Switch off the power supply before installation.**

The TAFX03 TRACKALPHA side mounting accessories are made of:

- No.2 stainless-steel “L” Brackets
- No. 2 M6 screws
- No. 2 washers
- The direction of the luminous flux is adjustable up to +/- 90°.

**Installation with TAFX03 side-mounting brackets**

- Mount the two side brackets on the luminaire using the supplied 2 x M6 Screws



- Use 8/32 or M5 Bolts only.
- The surface metal mount must be at least 2 mm thick.
- Refer to table 1 for the correct distance between center holes

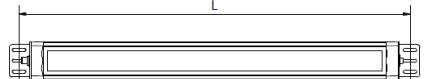
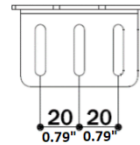
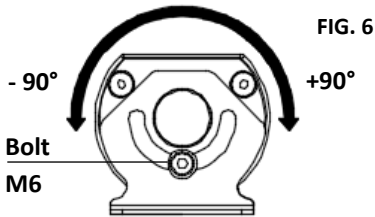


Table 1. Screw distance between center holes	
Model	Distance “L”
TA0224S01 TA0224S02	~ 14,1 in (358 mm)
TA0324S01 TA0324S02	~ 18,82 in (478 mm)
TA0524S01 TA0524S02	~ 28,27 in (718 mm)
TA0724S01 TA0724S02	~ 37,72 in (958 mm)

- Use 8/32 or M5 bolts to fix the luminaire. Bolts’ length must be chosen according to the surface thickness. The threaded portion sticks through the surface metal with three threads out.
- Drill 4 holes for steady mounting
- Thread the four holes

- Place the luminaire assembled with the two side brackets on the metal surface near the four previously drilled and threaded holes.
- Tighten the four bolts firmly.
- Adjustment of the light direction by rotating the luminaire up to 90°. Tighten the 2 M6 bolts (see picture 6)



## NOTICE

### Damage or broken Luminaire

- The Bolt M6 allowing rotation mustn't be loosened entirely, for the luminaire may fall.
- Regularly check the side brackets, screws, and bolts to ensure the luminaire is safely tightened.

NOTE: The mounting accessories are purchased separately. To know more, please visit [www.ccealights.com](http://www.ccealights.com) or [www.ccealights-usa.com](http://www.ccealights-usa.com) for North America.

### 4.5 Correct installation using the original rear-mounting brackets TACLIP



**Switch off the power supply before installation.**

The TACLIP TRACKALPHA rear mounting accessories are made of:

- No. 2 Aluminum Anodized Clips
- No. 2 M5 screws
- No. 2 washers

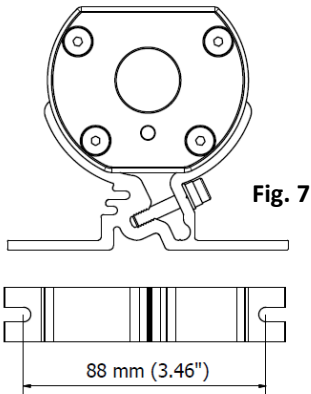
The direction of the luminous flux is adjustable up to +/- 40°.

### Installation with TACLIP rear-mounting clips

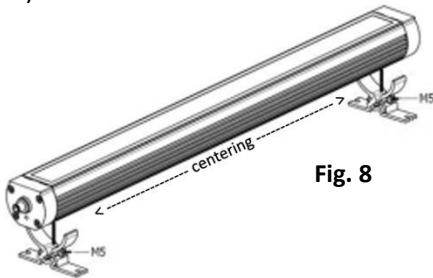
- Mount the two clips on the pre-drilled metal surface



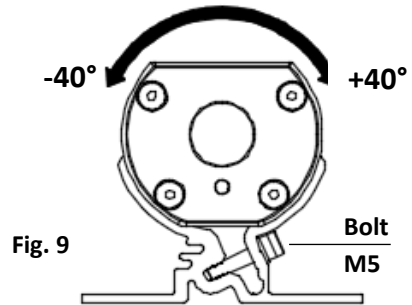
- Use 8/32 or M5 Bolts only.
- The surface metal mount must be at least 2 mm thick.
- Refer to Picture 7 for the correct distance between center holes



- Use 8/32 or M5 bolts to fix the clips. Bolts' length must be chosen according to the surface thickness. The threaded portion sticks through the surface metal with at least three threads out.
- Drill 4 holes for steady mounting
- Thread the four holes
- Place the rear side of the luminaire on the two clips previously mounted. (See picture 8)



- make sure that it is perfectly centered
- Adjustment of the light direction by rotating the luminaire up to 40°. Tighten the 2 M5 bolts (see picture 9)



## 5. Plug-in

### NOTICE

#### Liquid Leakage causes damages to the luminaire

- Use a Cable M12 connector securing the same degree of protection as the luminaire, if not greater.
- Ensure that the power cord is correctly plugged into the female connector.

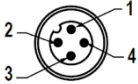
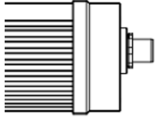
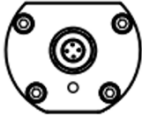
#### 5.1 Plug-in with M12 connector

### NOTICE



#### Wrong wiring may cause damages to the luminaire.

- Qualified electricians must carry out all electrical connections.
- Supply wiring: located in class 2, any wiring, rated min. 20 AWG, min. 50V, min. 90°C.

**M12 4P Male connector A Coding**

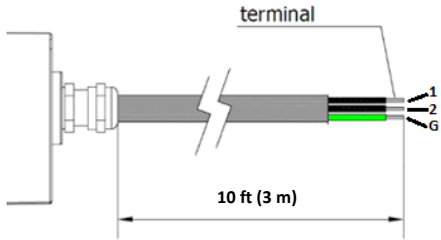
Male	Pin	
	1	Hot 120V
	2	GROUND
	3	NEUTRAL 0V
	4	NOT CONNECTED
 		

**5.2 Pre-assembled Power Cord with Straight Female M12 Connector -**

Female	Pin	Conductor	
	1	Brown	Hot 120V
	2	White	GROUND
	3	Blue	NEUTRAL 0V
	4	Black	NOT CONNECTED
	<b>Code M12AFC5</b> M12 4 poles A Coding, 250V 4A, four conductors 18AWG, 0.75mm <sup>2</sup> , IP67, PUR outer Sheath.		

**5.3 Integrated Power Cord**

Wire	
<b>Black 1</b>	Hot 120V
<b>Black 2</b>	NEUTRAL 0V
<b>Yellow/green</b>	GROUND

**Power Cord**  
 PVC outer sheath  
 17 AWG 3X1.0 mm2  
 UL -40°F - 176°F / (-40° +80° C)  
 10 ft - (3 m)

## 6. Switch on – off

- The luminaire is not equipped with an independent switch on and off.
- The luminaire switches on when plugged in and switches off when the power is off.

## 7. Troubleshooting

In case the luminaire doesn't turn on:

- Check that the luminaire is correctly wired to the supply voltage.
- Check that polarity wiring has been carried out correctly.

**Please contact**

**CCEA Technical support Service for defective luminaire**

Phone: +39 0444 572083

Email: [ccea@ccealights.com](mailto:ccea@ccealights.com)

**For North America & Canada Contact:**

**CCEA Technical Lighting Corp.**

Phone: +1-623-526-9599

Email: [techsupport@ccealights-usa.com](mailto:techsupport@ccealights-usa.com)

## 8. Replacing the LED light source

The outstanding lifetime of the LED light source, over 60.000 hours, makes it unnecessary to replace the PCB LED if the lamp is installed correctly and used following the instructions in this manual. Contact CCEA's Technical Support service - or your Reseller – if replacing the PCB LED is needed for any defects not covered by the warranty.

## 9. Product maintenance and cleaning



**Switch off the power supply before any installation, maintenance, or repair procedures.**

This product is maintenance-free.

- Luminaire cleaning is carried out only after switched off and the surfaces have cooled down.
- Carefully rinse the lamp surface with a mild cleanser and then wipe off using a soft cloth to avoid scouring it.



**All material damages caused by liquid leakage may damage the lamp**

- If the lamp works in environments where lubricants or coolers are present, all cleaning operations should be carried out at the end of the working cycle.

## 10. Repairs



### **Bad repairs may damage the luminaire**

- All repairs must be carried out by the manufacturer or by qualified technicians.
- Only use spare parts approved by the manufacturer.

performed by CCEA. The buyer may incur additional charges for diagnostic and repair functions performed by CCEA staff.

The preceding warranty constitutes CCEA's sole liability.

Given the above, hold the product label to be submitted if any repair operations are needed.

Repair and spare parts costs will be notified after the defects have been examined.

The warranty does not cover:

- Transport, packaging, or shipping costs.
- damages or deterioration caused by:
  - Installation and operation are carried out in different ways.
  - Any unauthorized repairs or attempts to repair the product.
  - Equipment operation under environmental conditions other than those specified in the user manual.
  - Liquid leakages inside the luminaire
  - Failure to follow the safety precautions related to transport and shipping the product back for repair (make sure to have it shipped back in its original case).

## 11. Warranty

### **Terms of warranty**

CCEA warrants that each new fixture of Sirio Q manufactured and sold is free from material, workmanship, and construction defects.

THIS WARRANTY DOES NOT APPLY TO EQUIPMENT OR GOODS WHICH ARE MISUSED, ABUSED, OR DAMAGED FROM INSTALLATION OR NOT USED FOLLOWING THE SELLER'S INSTRUCTIONS. NORMAL WEAR OF EQUIPMENT OR GOODS IS NOT INCLUDED IN THIS WARRANTY.

Suppose an examination by CCEA discloses that the fixture has defective components. In that case, CCEA's obligation is limited to repair or replacement, at CCEA's option, of the defective unit(s) or its parts.

CCEA is not responsible for fixtures that have been subject to misuse, alteration, accident, or repairs not

### **Period of warranty**

When used under the installation manual and technical instruction provided, it will perform to applicable specifications for 24 months from purchase.

## 12. Product disposal (EU Regulation)

All the electrical and electronic equipment (WEEE) must be managed with selective waste sorting and cannot be disposed of as municipal waste, as provided in Directive 2012/19/UE.

Given the above, this equipment, all its components, sub-systems, and consumables, which are an integral part of the product, must be conveyed to the local collection facilities to dispose of them by the current legislation.

Please apply to the council offices of your place of residence to know where the collection facilities are located.







## 13. Technical data

**NOTE: Please refer to the information printed on the label or engraved on the lamp.**

Power supply	120 Vac
Power input	13-19.5 -32.5 – 46 W
IEC Class	I
Degree of protection	IP67 compatible with NEMA 12
Driver	I.D.S. Integrated System Driver
Light temperature	5000 K
Chromatic Index	CRI 80
Operating temperature	-4 F° / 113° F (-20 / +45 °C)
For any further information please refer to the table at page 7	

## 14. Symbol list

	CE Conformity marking
	Protection class I device
<b>IP67</b>	Degree of protection IP67
	UL 2108 STANDARD FOR LOW VOLTAGE LIGHTING SYSTEM – Edition 2 – Revision Date 2017/05/30 CSA C22.2 NO.9.0-96 LUMINAIRES – Edition 1 – Revision Date 1998/07/01. Reaff. 2016
	<b>WARNING:</b> Cancer and Reproductive Harm <a href="http://www.P65Warnings.ca.gov">www.P65Warnings.ca.gov</a>

## 15. Declaration of Conformity

C.C.E.A. SRL, via Piave, 2 - 36077 Altavilla Vicentina (VI), Italy – VAT and Tax number 02374040240 declares that the luminaire named TRACKALPHA PRO – to which the present Declaration of Conformity is related - was manufactured by CCEA SRL in accordance with the following Directives: 2014/35/UE on Low Voltage Equipment Safety and the Directive of Electromagnetic Compatibility 89/336/CEE (EMC) 2014/30/UE. The unit complies with the following regulations:

- **Directives:**



**Machinery Directive 2006/42/EC**

**EMC Directive 2014/30/EU**

- **Certification**



- **Harmonized Standards**

CEI EN 60598-1 “Lighting equipment. Part 1: General instructions and tests”

CEI EN 60598-2-4 “Lighting equipment part 2: particular requirements – part 4 Portable general-purpose luminaries”.

CEI EN 62031 “LED modules for general lighting. Safety specifications”.

CEI EN 62384 “DC or AC supplied electronic control gear for LED modules. Performance requirements”.

This is a standard product manufactured following a detailed production schedule, ensuring that inspections and destructive tests were carried out to deliver a safe, functional, and sustainable development.

C.C.E.A. SRL disclaims any responsibility resulting from tampering and improper device use.

Date: \_\_\_\_\_

Week of production: \_\_\_\_\_

Product code: \_\_\_\_\_

**CCEA Srl**

Via Piave 2, 36077 Altavilla Vicentina (VI), Italy  
Tel. +39 0444 572083 – fax +39 0444 572337