

TEIDE
Series

ENGLISH

24 VDC

Installation Manual



CCEA

Table of contents

1. Product description.....	3
2. Safety Warnings	4
2.1 Proper use	4
2.2 Product safety	4
2.3 Risk levels.....	6
3. Available versions.....	7
4. Guide to installation	8
4.1 Product sizes	8
4.2 Mounting accessories.....	8
4.3 Installation	9
5. Plug-in	11
5.1 Low voltage plug-in with M12 connector.....	11
5.2 Power cord	12
6. Switch on-Switch off	13
7. Troubleshooting	13
8. Light source replacement	13
9. Product maintenance and cleaning.....	13
10. Repairs.....	14
11. Warranty	14
12. Product Disposal	14
13. Technical data	15
14. Meaning of symbol keys	16
15. Declaration of conformity.....	17

1. Product Description

TEIDE is a series of compact LED lights designed for interior and industrial applications, including electrical cabinets and beverage-filling machines. A highly efficient flow beam is delivered using the latest LED Technology. Side fastening clips allow adjustment of the light flow direction up to 70°. Five different lengths offer installation flexibility for a wide variety of uses.

The compact size allows for easy integration into existing systems while providing exceptional energy efficiency and low-voltage safety.

- Structure made of anodized aluminum.
- 0.94 inches (24 mm) wide or 1.18 inches (30 mm) wide
- Cover PC Frosted Opaque or Cover in PMMA, transparent Acrylic.
- Mid Power LED
- 24Vdc via M12-connector
- 5000 K – CRI80 – 120°
- 50% Energy Saving
- 5 lengths

2. Safety instructions

Each lighting device in the **TEIDE** series was designed and manufactured based on state-of-the-art techniques.

It is made of well-selected, high-quality materials. It is carefully tested throughout the production process, from the raw material through to packaging, following a detailed production schedule to guarantee that the product is safe and reliable.

Material damage and body injuries may still occur while using it.



- This manual is part of the equipment and must always be kept with it.
- Please make sure that ALL instructions/information in this manual are carefully read through
- Strict compliance with the instructions provided in this manual and on the lighting equipment is required for its correct use
- Installation and use of the product is recommended only if it is in perfect condition, and the user is

well-acquainted with all safety instructions

- CCEA, the manufacturer, waives any responsibility in case of product tampering or improper use

2.1 Proper use of the product

TEIDE luminaires IP67-rated are suitable for wet locations with the presence of water.

2.2 Product Safety

Electrical Risks

The improper use of TEIDE may cause bodily injury and material damage.

- A licensed electrician must carry out all electrical connection procedures
- Switch off the power supply before any installation, maintenance, or repair procedures.
- Please ensure that the power supply rated tension and frequency meet the requirements shown on the product label. Please respect cable polarity.
- Maintenance and repairs must only be carried out by qualified electricians.

Risk of explosion

The risk of explosion may occur during installation and use of this product in applications with a high

risk of explosion. It might cause severe body injuries.

- **Do not** install and use this product in hazardous environments (high risk of explosion).

Installation and safety

- Handle TEIDE with care and avoid having it drop or hit, even if it is still packed, which might cause bodily injuries, as well as material damage.
- Ensure the original mounting accessories are used, as available from the manufacturer.
- Set up the mounting accessories properly.
- The TEIDE must be correctly mounted using the proper bolts according to the application, place, and surface where the product is being mounted.
- Ensure that the Brackets are regularly checked.

Danger of dazzling glare due to a white light source

Avoid staring directly at the light source, as it may cause a temporary reduction of vision. Irritation, aches, damage, or accidents may also occur.

- Avoid staring directly at the light source.
- The device must be adjusted to avoid directing the light towards the eyes.

Danger caused by inappropriate spare parts.

Using inappropriate spare parts may cause bodily injuries and material damage.

- **Do not** use spare parts that the manufacturer has not approved.

Damage caused by the presence of laser beams

Use of the TEIDE LED lighting equipment **is not** allowed when a high-power laser – see: a laser cutting system - is operating, since it may damage the LED source.

Danger due to high temperatures

Installing and using TEIDE in environments where the existing temperature is significantly above the foreseen operating temperature will significantly reduce LED lifetime and damage the built-in electronic components.

- **Do not** use TEIDE in environments where its operating temperature is exceeded.
- **Operating temperature - 4/+113°F (-20/+45°C)**
- Avoid direct solar radiation.

Danger due to repairs

Having the product disassembled or repaired without appropriate technical /electrical knowledge may cause injury to people and damage to objects.

- **Do not** try to repair or disassemble the equipment. Please have qualified technicians address any issues.
- Any product tampering or modifications not approved by the manufacturer will nullify the warranty.

2.3 Damage risk levels



DANGER

Dangers where noncompliance may **immediately** cause severe injuries and eventually lead to death.



WARNING

Dangers where failure to satisfy requirements **may** lead to severe injuries or even death.



ATTENTION

Dangers where failure to satisfy requirements **may** lead to injuries.

NOTICE

Dangers where failure to satisfy requirements **may** cause damage to objects.

3. Available versions

Please refer to the table hereunder to identify the model # you own to correctly and efficiently install and use.

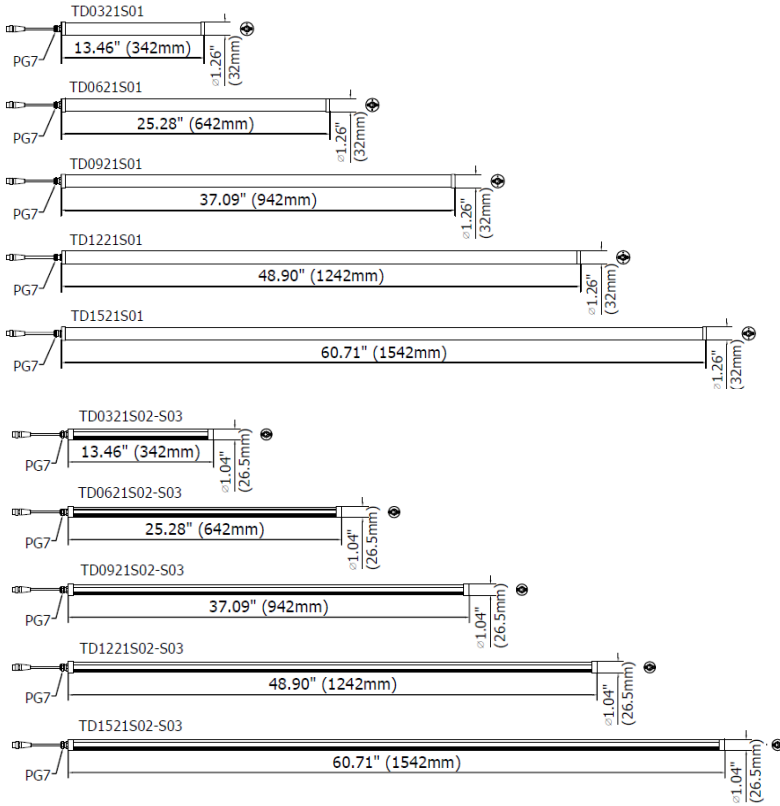
Note: The model # is found on the brand name label stuck on the product's backside or Cable

- Find the product code printed on the brand name label and see if you find it on the table.
- Compare the codes and see if you can identify the same model in the table hereunder.
- The label also shows the week and year of production.

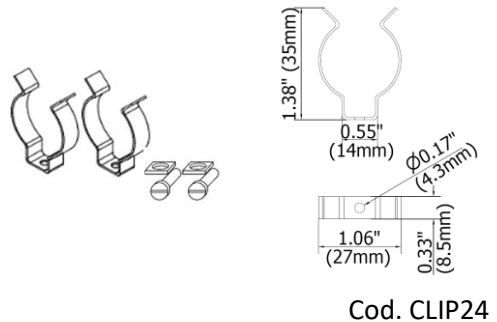
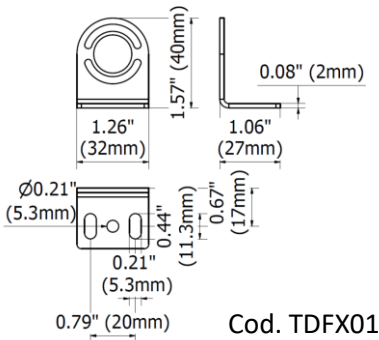
POWER Q Versions, Ø0.95" (24mm)						
Model	Length	Optics	Power	Power Usage	E Connection	Weight
TD0321S02	342mm	Diffuser 120°	10W	24Vdc	CABLE 10 ft (3mt) with M12-A 3P	0.77 lb (0.35 kg)
TD0621S02	642mm	Diffuser 120°	20W	24Vdc	CABLE 10 ft (3mt) with M12-A 3P	1.10 lb (0.50 kg)
TD0921S02	942mm	Diffuser 120°	30W	24Vdc	CABLE 10 ft (3mt) with M12-A 3P	1.65 lb (0.75 kg)
TD1221S02	1242mm	Diffuser 120°	40W	24Vdc	CABLE 10 ft (3mt) with M12-A 3P	2.20 lb (1.00 kg)
TD1521S02	1542mm	Diffuser 120°	50W	24Vdc	CABLE 10 ft (3mt) with M12-A 3P	2.87 lb (1.30 kg)
ECO Versions, Ø0.95" (24mm)						
TD0321S03	342mm	Diffuser 120°	5W	24Vdc	CABLE 10 ft (3mt) with M12-A 3P	0.77 lb (0.35 kg)
TD0621S03	642mm	Diffuser 120°	10W	24Vdc	CABLE 10 ft (3mt) with M12-A 3P	1.10 lb (0.50 kg)
TD0921S03	942mm	Diffuser 120°	15W	24Vdc	CABLE 10 ft (3mt) with M12-A 3P	1.65 lb (0.75 kg)
TD1221S03	1242mm	Diffuser 120°	20W	24Vdc	CABLE 10 ft (3mt) with M12-A 3P	2.20 lb (1.00 kg)
TD1521S03	1542mm	Diffuser 120°	25W	24Vdc	CABLE 10 ft (3mt) with M12-A 3P	2.87 lb (1.30 kg)
POWER S Versions, Ø1.26" (32mm)						
Model	Length	Optics	Power	Power Usage	E Connection	Weight
TD0321S04	342mm	Diffuser 120°	10W	24Vdc	CABLE 10 ft (3mt) with M12-A 3P	0.95 lb (0.45 kg)
TD0621S04	642mm	Diffuser 120°	20W	24Vdc	CABLE 10 ft (3mt) with M12-A 3P	1.43 lb (0.65 kg)
TD0921S04	942mm	Diffuser 120°	30W	24Vdc	CABLE 10 ft (3mt) with M12-A 3P	1.76 lb (0.80 kg)
TD1221S04	1242mm	Diffuser 120°	40W	24Vdc	CABLE 10 ft (3mt) with M12-A 3P	2.40 lb (1.1 kg)
TD1521S04	1542mm	Diffuser 120°	50W	24Vdc	CABLE 10 ft (3mt) with M12-A 3P	3.31 lb (1.50 kg)

4. Guide to installation

4.1 Product sizes and accessories



4.2 TEIDE side mounting brackets



4.3 Installation



ATTENTION

The lamp's fall may cause injury to people and damage to objects.

- When mounting TEIDE, ensure the original Brackets are used; you may purchase them from the supplier.
- Ensure the brackets have been correctly mounted.



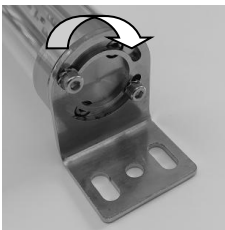
WARNING

Switch off the power supply before proceeding with the installation.

Correct installation using only the original fastenings TDFX01 (for only the S01 version)

The TEIDE mounting accessories are made of:

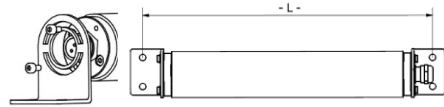
- N.2 side fasteners of chrome-plated steel with M3 fixing screws and steel handle washers.
- Direction of the luminous flux adjustable at +/- 70°.



Installation with TDFX01 side-mounting brackets

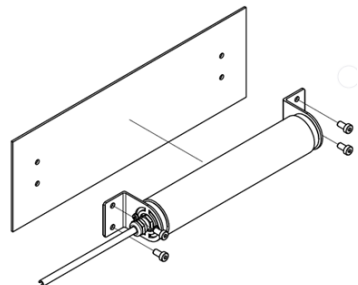
NOTICE

- Hook the two side brackets on the lamp sides using the 2 screws provided.
- Bore the fixing holes on the machine surface, as shown hereunder (Side mounting pitch):



Model	-L-
TD032...	7.91" (376mm)
TD062...	13.22" (676mm)
TD092...	18.54" (976mm)
TD122...	18.54" (1276mm)
TD152...	18.54" (1576mm)

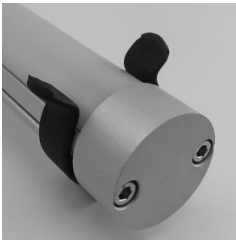
- After the mounting holes have been drilled, tighten the luminaire to the machine using 2 M5 bolts, each at least 8 mm long, on each bracket. Recommended mounting surface minimum 2 mm thick.



- The lamp position can be adjusted by rotating it with respect to the standing surface once the two M3 screws on each side have been loosened. Once the correct position is found, tighten both screws (see the picture below).

Installation with CLIP24

- Tighten the metal clips to the dedicated installation surface.
- Clip and adjust the direction of the light beam.



Damaged or broken lamp.

- To prevent the luminaire from falling, ensure that the M3 bolts have not completely loosened during light rotation adjustment.
- Brackets or clips must be checked regularly to maintain a secure installation. The M5 Bolts must be securely tightened to the mounting surface.

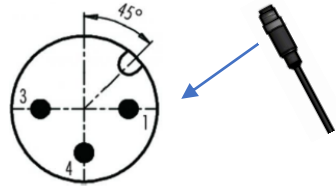
NOTE: The mounting parts for this lamp are available as accessories. For further details, please visit our website: www.ccealights-usa.com

5. Plug-in

NOTICE

Material damage caused by liquid leakage.

- Use a connector that provides the same level of protection as the lamp, if not greater.
- Ensure that the power cord is correctly plugged into the female connector.



Standard version: M12 3P Male connector A Coding (on the lamp)

PIN	Connection
1	DC + (24VDC)
3	DC – (0VDC)
4	Not connected

5.1 Low-voltage plug-in with M12 connector

NOTICE

Incorrect wiring may damage the luminaire.

- Qualified electricians must carry out all electrical connections.
- Please respect the polarity of connectors
- Always use the power cord supplied with the lamp.

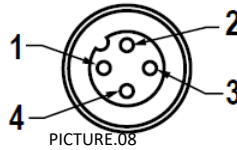
NOTICE

Ensure that the supply voltage range to the lamp is closely maintained to avoid damaging the LED drivers: 22 ÷ 26 VDC.

5.2 Pre-assembled Power Cord for M12 Lighting

DESCRIPTION

Cod. **M12AFC5**: M12 4 poles A Coding, connector female with pre-assembled UL PVC Cable 4X0,75mmq.
Cross-section



PIN	connection	conductor
1	DC + (24VDC)	brown
2	Not connected	white
3	DC - (0VDC)	blue
4	Not connected	black

6. Switch on – Switch off

- The lamp is not equipped with an independent switch-on/switch-off system.
- The lamp will switch on when plugged in and switch off when the power is off.

7. Troubleshooting

In case the lamp doesn't turn on:

- Check that the lamp is properly wired to the supply voltage.
- Check that polarity wiring has been carried out correctly.

Please contact CCEA'S Technical Support Service in case the lamp is defective.

CCEA Technical Support Service
Phone: (623) 526 9599
Sales@ccealights-usa.com
www.ccealights-usacom

8. Replacing the LED light source

The LED light source's outstanding lifetime of over 60.000 hours makes it unnecessary to replace the PCB LED if the lamp is properly installed and used according to the instructions in this manual. Please contact CCEA's Technical Support service - or your Reseller – in case the replacement of the PCB LED is needed for any defects not covered by the warranty.

9. Product maintenance and cleaning



WARNING

Switch off the power supply before installing, maintaining, or performing repair procedures.

This product is maintenance-free.

- Lamp cleaning is to be done only after it has been switched off and the surfaces have cooled.
- Carefully rinse the lamp surface with a mild cleanser, then wipe it dry with a soft cloth to avoid scoring.

NOTICE

All material damage caused by liquid leakage may damage the lamp.

- Carry out cleaning at the end of the working cycle. If the luminaire is installed in environments where lubricants or coolants are used.

10. Repairs

NOTICE

All material damage caused by poorly executed repairs may damage the luminaire.

- All repairs must be carried out by the manufacturer or by qualified technicians.
- Only spare parts have been approved by the manufacturer.

- Any unauthorized repairs or attempts to repair the product.
- Equipment operation under environmental conditions other than those specified in the user manual.
- Liquid leakages inside the luminaire.
- Failure to follow the safety precautions related to transport and shipping the product back for repair (please make sure to have it shipped back in its original case).

11. Warranty

Terms of warranty

CCEA ensures that any control procedures or repairs – to be carried out exclusively at/by the CCEA Technical Service dept. or by any CCEA'S official dealer – are covered throughout the entire product's lifetime. In view of the above, take care to preserve the product label and case for submission if any repair operations are needed.

All repair and spare parts costs will be notified after the defects have been examined.

The warranty does not cover:

- Any transport, packaging, or shipping costs.
- Any damages or deterioration caused by:
 - Installation and/or operation carried out in different ways.

Period of warranty

The warranty period covers 24 months, starting from the delivery date. CCEA guarantees that the products are free of manufacturing defects or malfunctions.

12. Product disposal (EU Regulations)

All the electrical and electronic equipment (WEEE) must be managed with selective waste sorting and cannot be disposed of as municipal waste, as provided for in Directive 2012/19/UE.

In view of the above, this equipment, all its components, subsystems, and the consumables which are an integral part of the product must be conveyed to the local collection facilities for them to be disposed of in accordance with the current legislation.

Please apply to the council offices of your place of residence to know where the collection facilities are located.



13. Technical data

NOTE: Please refer to the data printed on the label or engraved on the lamp.

Power supply	22÷26 VDC
Power input	10-20-30-40-50W
	5-10-15-20-25W
	(see label)
IEC Class	III
Degree of protection compatible with	IP67
	NEMA type
12	
LED driver	I.D.S. (Integrated System Driver)
Light color temperature	5000K

14. Symbol keys

	CE Conformity marking
	Protection class III device
IP54	Degree of protection IP54
IP67	Degree of protection IP67
	WARNING: Cancer and Reproductive Harm www.P65Warnings.ca.gov

15. Declaration of Conformity

CCEA Technical Lighting Corp. hereby declares that the luminaires named TEIDE – to which the present Declaration of Conformity is related - were manufactured in accordance with the following Directives: 2014/35/UE on Low Voltage Equipment Safety and the Directive of Electromagnetic Compatibility 89/336/CEE (EMC) 2014/30/UE. Teide's comply with the following regulations:



Machinery Directive 2006/42/EC
Low Voltage Directive 2014/35/EU
EMC Directive 2014/30/EU

- **Directives:**
- **Harmonized Standards**
 - CEI EN 60598-1 “Lighting equipment. Part 1: General instructions and tests”
 - CEI EN 60598-2-4 “Lighting equipment part 2: particular requirements – part 4 Portable general-purpose luminaires”.
 - CEI EN 62031 “LED modules for general lighting. Safety specifications”.
 - CEI EN 62384 “DC or AC supplied electronic control gear for LED modules. Performance requirements”.

This standard product is manufactured following a detailed production schedule, ensuring that inspections and destructive tests are carried out for a safe, functional, and sustainable product to be delivered.

C.C.E.A. SRL disclaims any responsibility resulting from tampering and/or wrong device use.

Date: _____

Week of production: _____

Product code: _____

CCEA Technical Lighting Corp.

2630 N Ogden Rd. Ste 108

Mesa AZ. 85215

Tel. (623) 526 9599

E-mail: Sales@ccealights-usa.com

www.ccealights-usa.com